

Print Number:

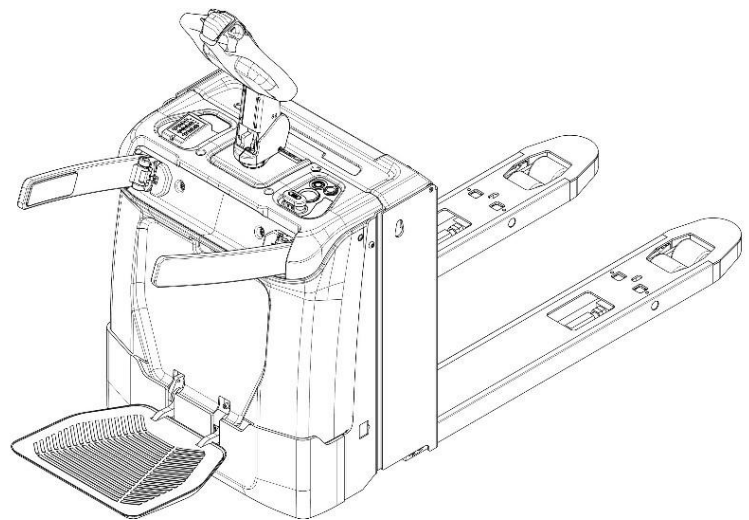
Print Date:

---

**Electric Pallet Truck PT20Li**

**PARTS MANUAL**

**506646020107**



Version: V07

Truck Identification Number From:

Parts Manual

PT20Li-PM07EN

Please order spare parts from authorized dealers of our Company.

In order to avoid wrong delivery, all the orders for spare parts should specify the following items:

- Truck model, identification number and manufacture year.
- Orders for spare parts of mast, hydraulic transmission unit, steering axle, motor, etc. shall indicate the manufacture number of these parts.
- Codes for Our Company spare parts are shown in the table of parts manual. Please also pay attention to the description of supply status, order quantity, etc. (check the number listed in "Mark" column of the parts manual).

"Mark" Column:

The unmarked indicates the parts are in short supply cycle.

Number 1: supply as package. Indicating these that parts are small parts and seal parts, which are supplied in package unit and in short supply cycle.

Number 2: supply with constraints. Indicating that these spare parts are not in stock and will be prepared for production after receiving the order from customers, which are in long supply cycle.

Number 3: phasing-out supply. Indicating that these parts will be replaced by new parts due to technical improvements and the current stock will not be available when these parts run out. Please check the description of technical improvements notice.

Number 4: supply as assembly. Indicating that these parts are assembly parts defined by manufacture process, which cannot be supplied as a single part.

Number 5: check other tables.

This parts manual is the property of Our Company and can be shared under the confidential agreement only, Our Company has the right to claim for compensation of any unauthorized use. Copy without permission is not allowed. Figures in the manual are not limited by the original design. our Company reserves the right to improve the products for continuous technology progress.

# Table of Contents

<b>Chapter 1: Drive System</b> .....	1
01 Drive Unit Steering (506646013501) .....	1
02 Drive Unit-EPS (506746013504) .....	3
<b>Chapter 2: Hydraulic System</b> .....	5
01 Hydraulic Components (506646024001).....	5
02 Hydraulic Unit (566546024002).....	7
<b>Chapter 3: Truck Frame</b> .....	9
01 Chassis (506646038501).....	9
01 Chassis (506646038501) Continuation.....	11
02 Chassis (506646038502).....	13
02 Chassis (506646038502) Continuation.....	15
03 Truck Frame (506646021501) .....	17
04 Guard Arm (506646017501).....	19
04 Guard Arm (506646017501) Continuation.....	21
05 Guard Arm (506646017502).....	23
05 Guard Arm (506646017502) Continuation.....	25
06 Platform (506646018001).....	27
07 Battery Cover (506646021001) .....	29
08 Caster (505646016501).....	31
<b>Chapter 4: Steering System, Braking System, Wheels</b> .....	33
01 Operating panel (506646010001) .....	33
02 Operating panel (506646010002) .....	35
03 Tiller Unit (535946011001) .....	37
04 Control Handle (535946011010).....	39
<b>Chapter 5: Electrical Parts</b> .....	41
01 Wire Harness (506646033001) .....	41
02 Controller (536646033002).....	43
03 Charger (502546036501) .....	45
04 Lithium battery (506646037001) .....	47
<b>Chapter 6: Others</b> .....	49
01 Labels, Decals-US (506646047001).....	49
02 Labels, Decals-EU (506646047002).....	51
<b>Appendix</b> .....	53
01 Electrical Circuit Diagram (506646045501).....	53
02 Hydraulic Circuit Diagram (508046045502).....	54
03 Consumable Parts List .....	55
03 Consumable Parts List Continuation .....	错误!未定义书签。

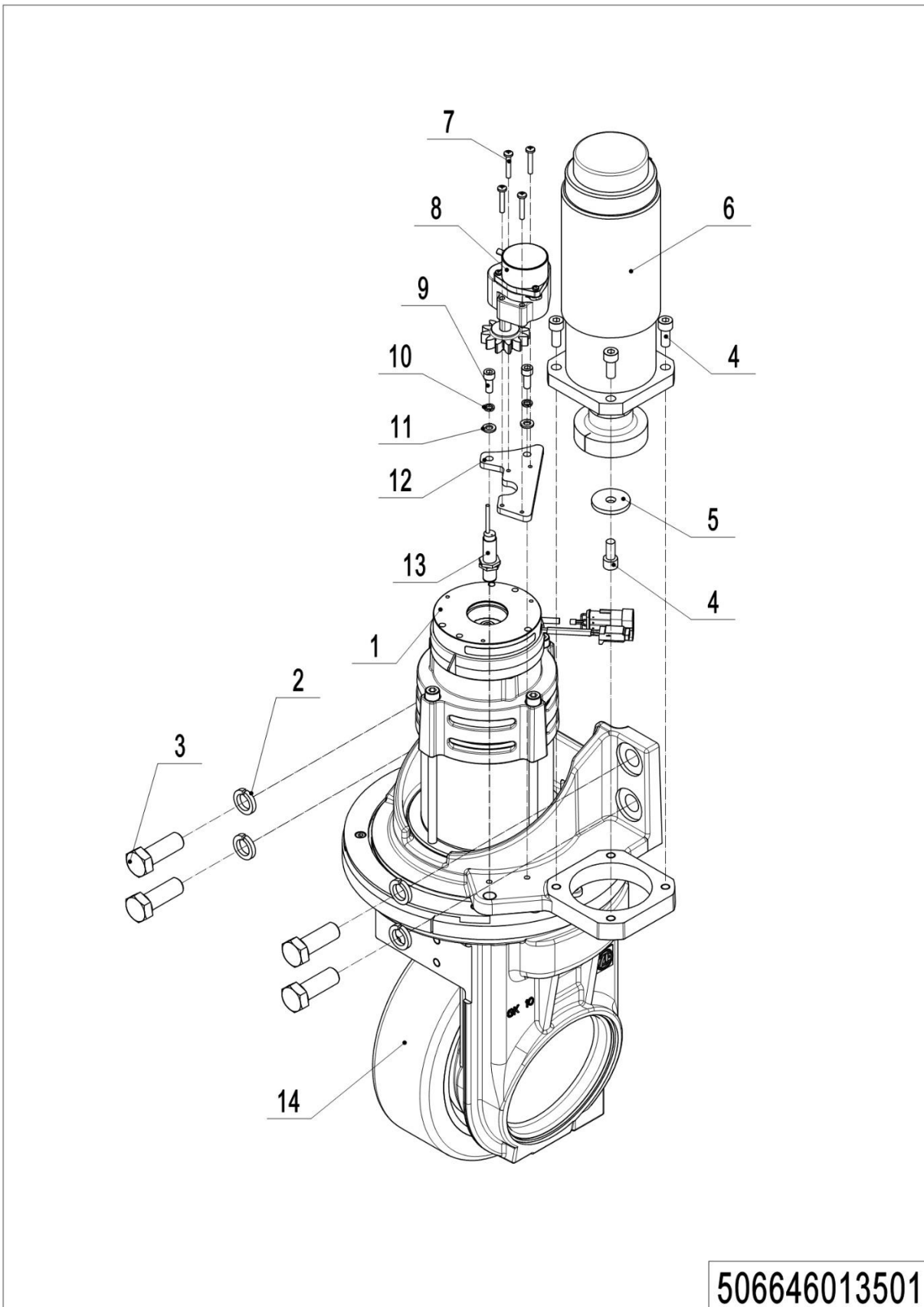
Print Number:

Print Date:

---

## Chapter 1: Drive System

### 01 Drive Unit Steering (506646013501)



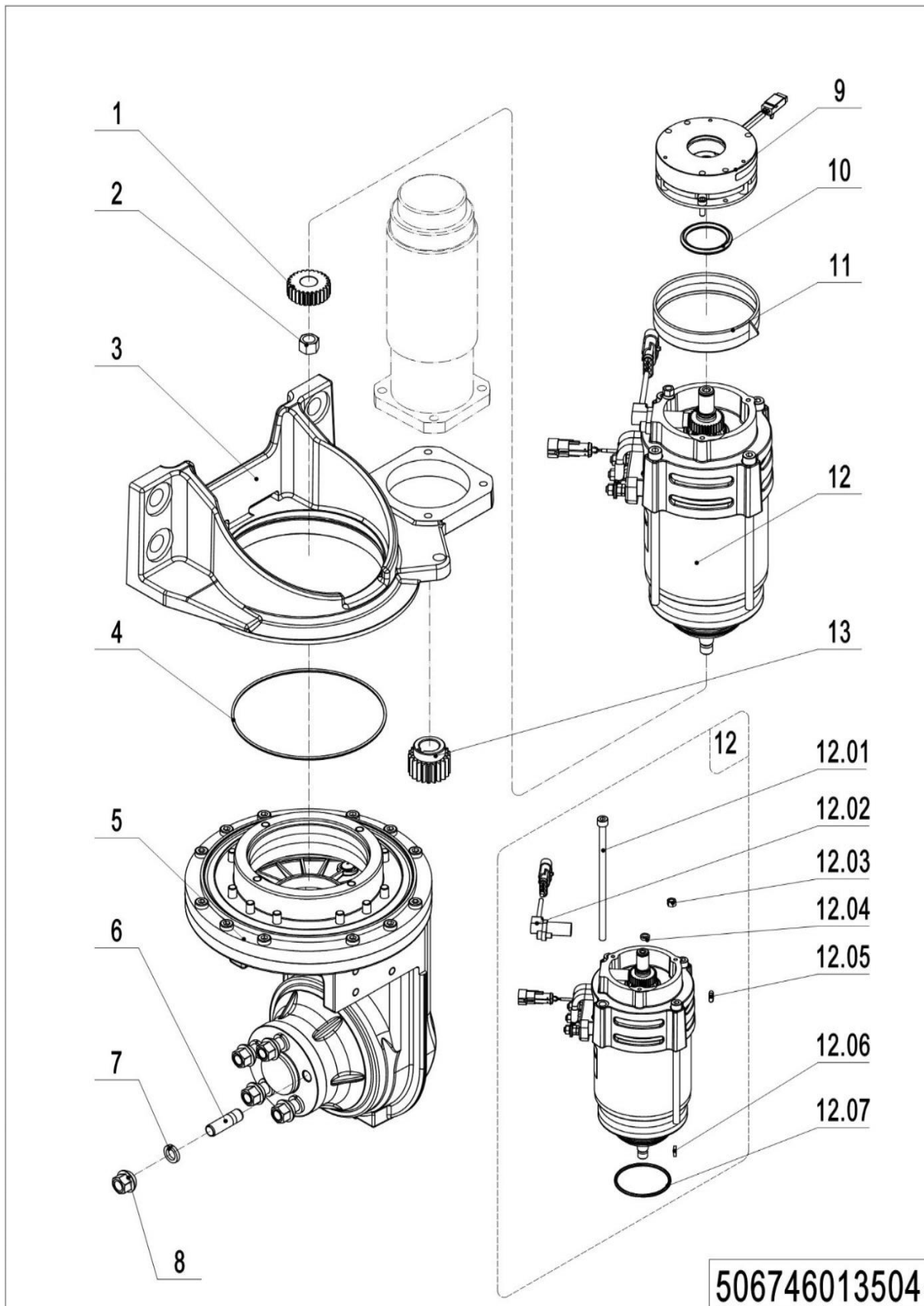
506646013501

---

**01 Drive Unit Steering (506646013501)**

No.	Item Code	Mark	Item Description	Qty.	Substitute	Note
1	940900500009		Drive Steering Assembly	1		
2	910400500010		Spring Washer	4		
3	910100300071		Bolt M16x45	4		
4	910200200057		Screw M8x20	5		
5	506713520001		Circlip (Shaft)	1		
6	920900100069		Motor	1		
7	910200500027		Screw M4x25	4		
8	921800100043		Sensor	1		
9	910200400017		Screw M6x16	2		
10	910400500005		Spring Washer	2		
11	910400100005		Flat Washer	2		
12	506633520000		Mounting Plate	1		
13	506733510009		Proximity Switch	1		
14	940300400034		Drive Wheel $\Phi$ 230x75	1		

## 02 Drive Unit-EPS (506746013504)

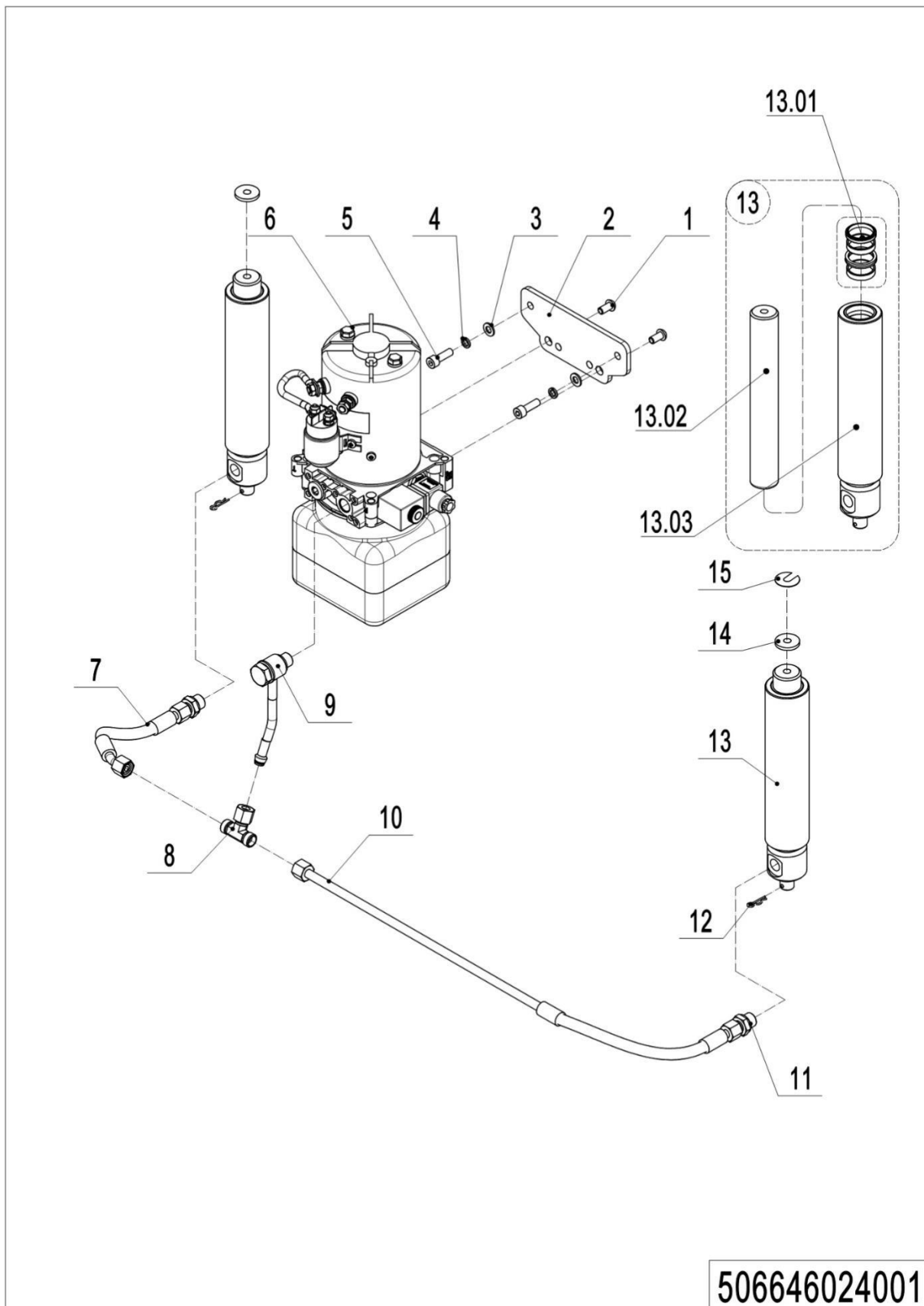


## 02 Drive Unit-EPS (506746013504)

No.	Item Code	Mark	Item Description	Qty.	Substitute	Note
--	940900500009		Drive Steering Assembly	1		
1	535998520014	2	Gear	1		
2	535998520008	2	Nut	1		
3	506798510006	2	Mounting Base	1		
4	535998520009	2	O-Ring	1		
5	535998510005	2	Gearbox Assembly	1		
6	535998520011	2	Stud M12x1.5x40	5		
7	535998520012	2	Spring Washer	5		
8	535998520013	2	Nut	5		
9	535998510001	2	Brake	1		
10	535998520000	2	Locating Ring	1		
11	535998520001	2	Division Plate	1		
12	535998510003	2	Motor	1		
12.01	535998520002	2	Screw	1		
12.02	535998510002	2	Sensor	1		
12.03	535998520003	2	Nut	1		
12.04	535998520004	2	Safety Element	1		
12.05	535998520005	2	Flat Key	1		
12.06	535998520006	2	Key	1		
12.07	535998520007	2	O-Ring	1		
13	535998520017	2	Gear	1		

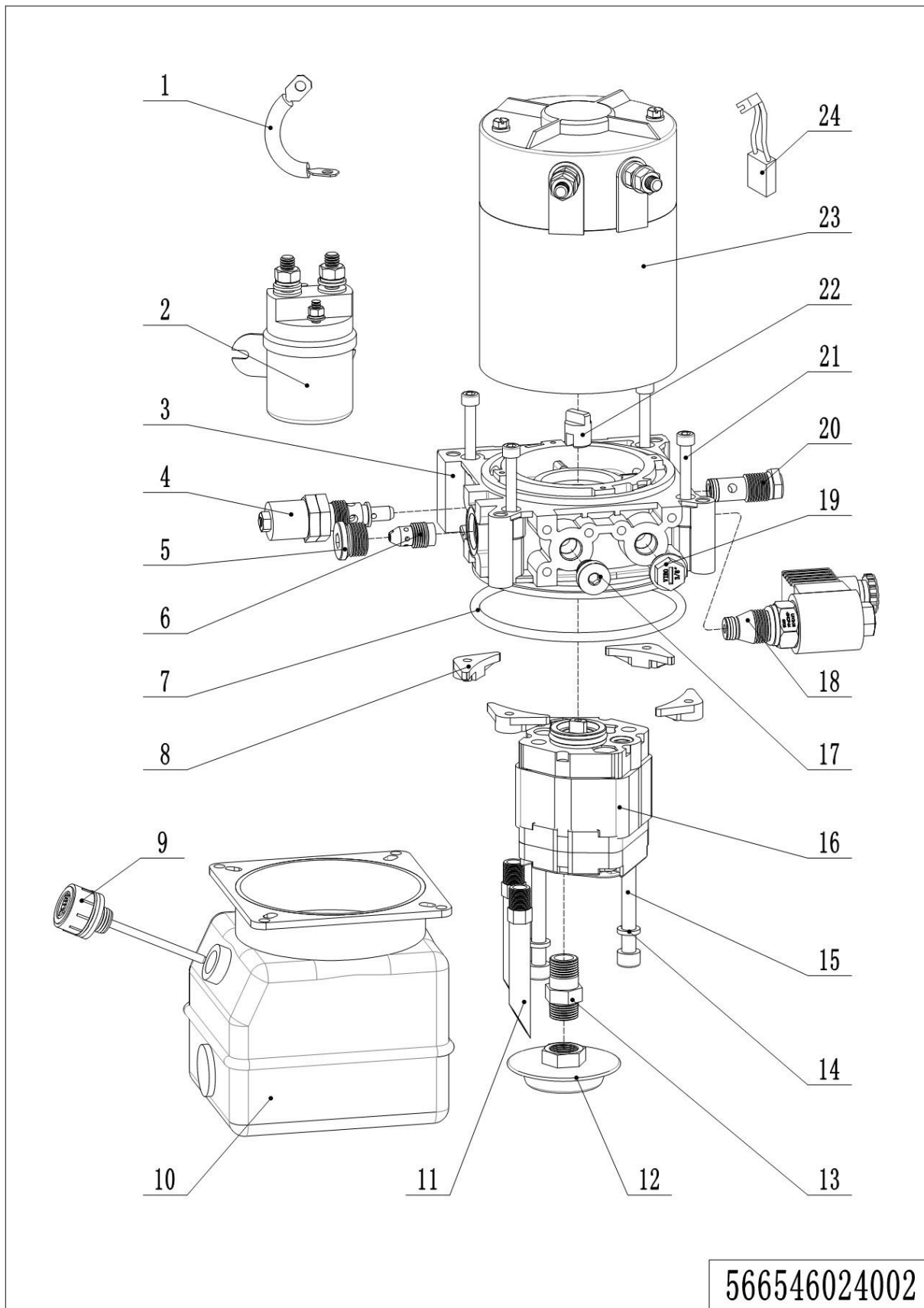
## Chapter 2: Hydraulic System

### 01 Hydraulic Components (506646024001)



## 01 Hydraulic Components (506646024001)

No.	Item Code	Mark	Item Description	Qty.	Substitute	Note
1	941100100005		Screw M10x15	2		
2	506624020000		Plate	1		
3	910400100006		Flat Washer	2		
4	910400500006		Spring Washer	2		
5	910200200057		Screw M8x20	2		
6	950900100130		Pump Unit	1		
7	506624010001		Hose Assembly	1		
8	950400700002		T-connector	1		
9	506624010003		Hose Assembly	1		
10	506624010002		Hose Assembly	1		
11	950400400003		Adapter	2		
12	910601000004		Lock Pin	2		
13	506624010000		Cylinder	2		
13.01	506698510000		Seal Kit	1		
13.02	506624020100		Plunger rod	1		
13.03	506624010100		Cylinder Block	1		
14	506624020001		Washer	2		
15	506624020002		Gasket	2		

**02 Hydraulic Unit (566546024002)**

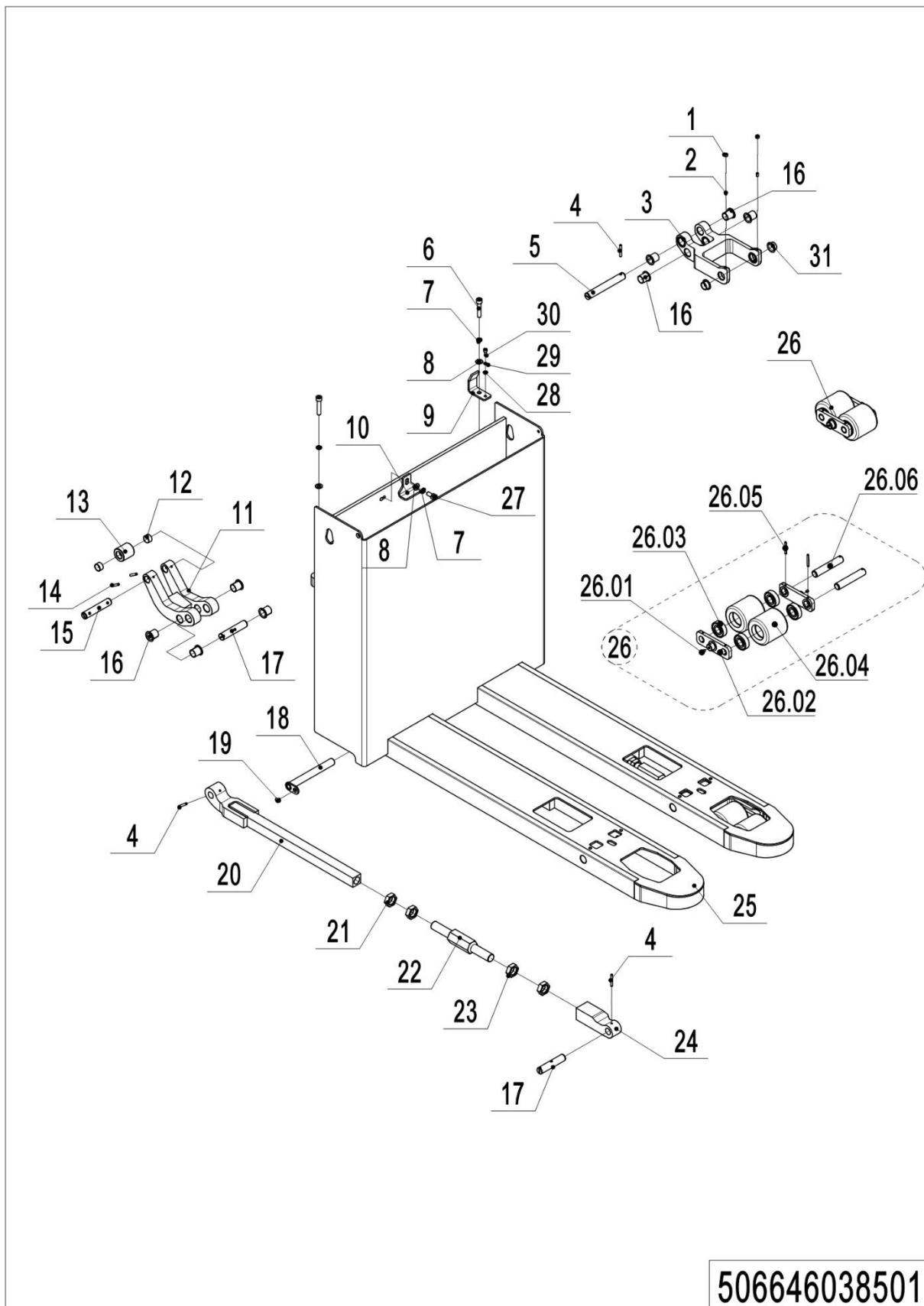
566546024002

## 02 Hydraulic Unit (566546024002)

No.	Item Code	Mark	Item Description	Qty.	Substitute	Note
1	505798510004		Connection Wire	1		
2	532098510002		Switch	1		
3	505798520005		Valve Block	1		
4	505798510007		Overflow Valve	1		
5	402698520020		End Cap	1		
6	505798510006		Compensation Valve	1		
7	910800100088		O-Ring	1		
8	505798520008		Nut	4		
9	505698520047		Tank Cover	1		
10	505798520009		Tank	1		
11	505798520012		Return Pipe	2		
12	402698520010		Filter	1		
13	505798520010		Suction Pipe	1		
14	910400500006		Spring Washer	2		
15	910200200070		Screw M8x80	2		
16	532098510000		Gear Pump	1		
17	505798520014		End Cap	1		
18	532098510006		Magnetic Valve	1		
19	505798520015		End Cap	1		
20	505798510012		Check Valve	1		
21	910200200042		Screw M6x45	4		
22	505798520018		Coupling	1		
23	532098510001		Motor	1		
24	505798510013		Carbon Brush Kit	4		

## Chapter 3: Truck Frame

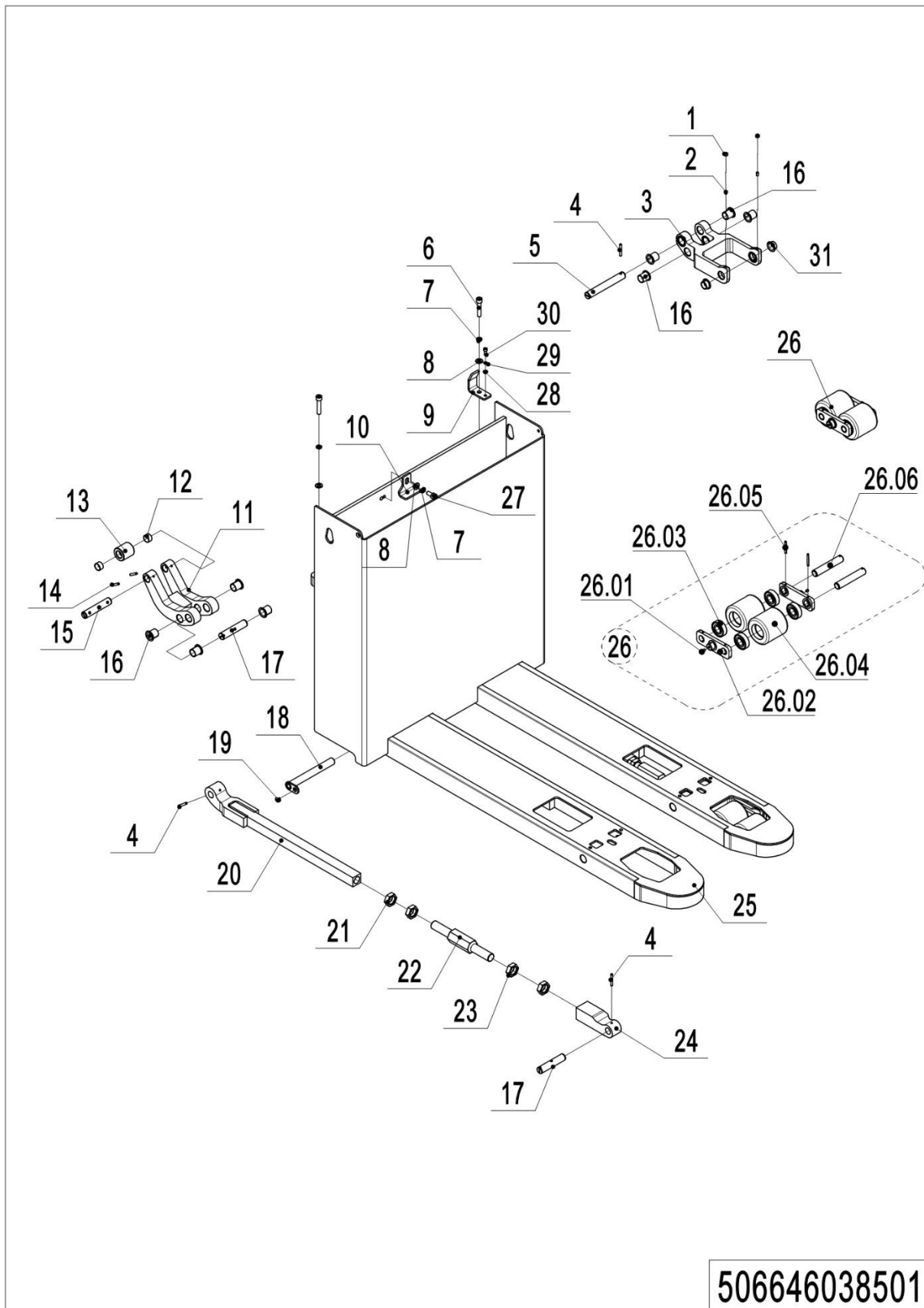
### 01 Chassis (506646038501)



## 01 Chassis (506646038501)

No.	Item Code	Mark	Item Description	Qty.	Substitute	Note
1	910300100005		Nut	4		
2	910200800011		Screw M6x10	4		
3	566538520049		Riser	2		
4	910600400028		Spring Pin	6		
5	566538520054		Pull Rod Shaft	2		
6	910200200082		Screw M10x55	2		
7	910400500007		Spring Washer	2		
8	910400100007		Flat Washer	3		
9	506638520019		Stop Plate	1		
10	506638520022		Stop Plate	1		
11	566538520068		Rib Plate	2		
12	940500100012		Bushing	4		
13	566538520056		Roller	2		
14	910600400025		Spring Pin	4		
15	566538520055		Roller Shaft	2		
16	940500200042		Bushing	16		
17	566538520053		Shaft	4		
18	507038510006		Trunnion	1		
19	910200400013		Screw M6x12	2		
20	506638510001		Pull Rod	2		
21	910300400011		Nut	4		
22	566538520033		Adjusting Rod	2		
23	910300400015		Nut	4		
24	507038520027		Connector Block	2		
25	506638510000		Chassis (540x1150)	1		
26	566517001000		Carrying Wheel Assembly	2		
26.01	911200100001		Oil Cup	4		
26.02	566517020000		Connecting Plate	4		
26.03	910700200019		Bearing	8		
26.04	940300300008		Wheel $\Phi$ 82x82	4		

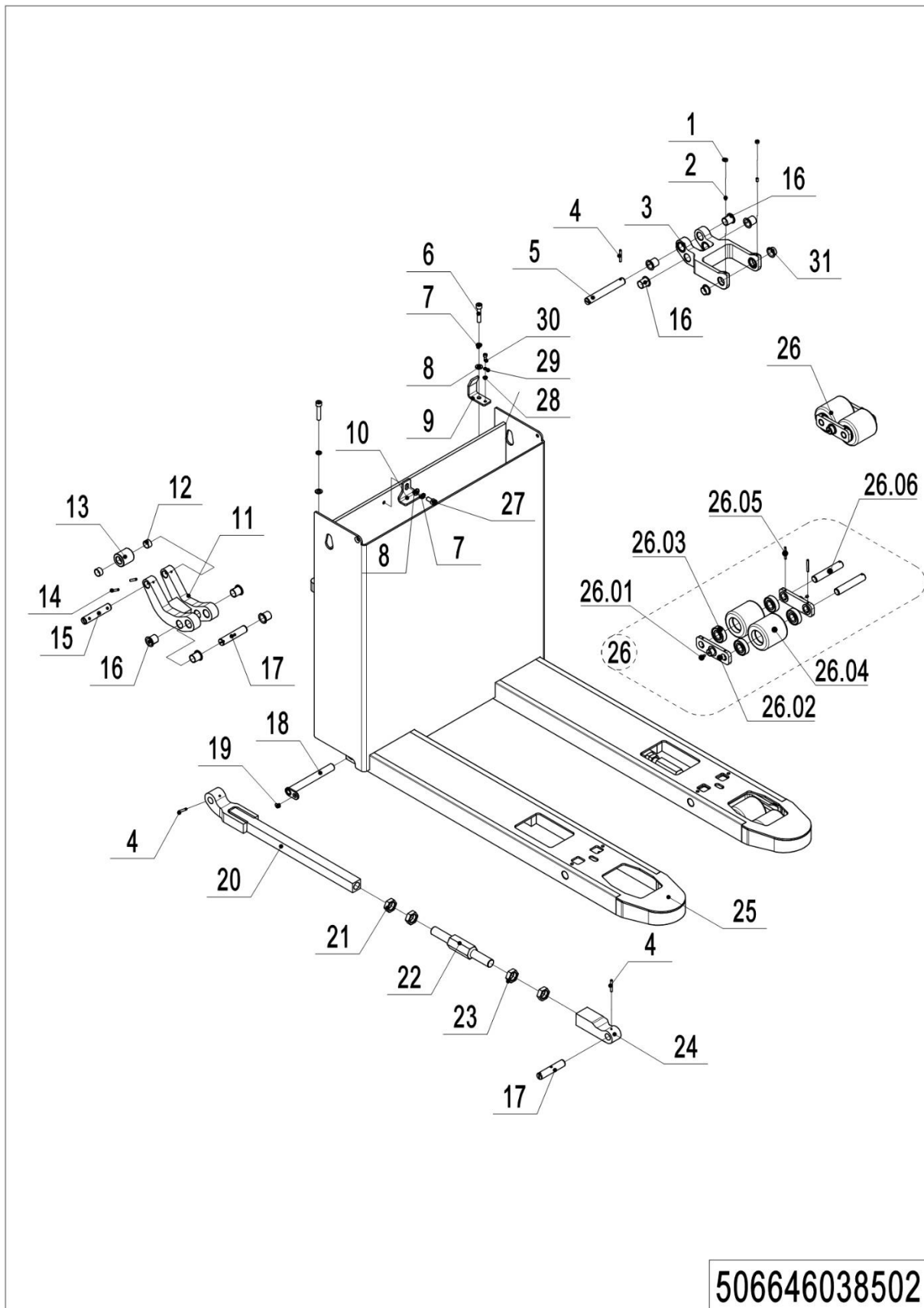
## 01 Chassis (506646038501) Continuation



## 01 Chassis (506646038501) Continuation

No.	Item Code	Mark	Item Description	Qty.	Substitute	Note
26.05	910600500005		Spring Pin	4		
26.06	505617020000		Shaft	4		
27	910200200075		Screw M10x20	1		
28	910400100005		Flat Washer	1		
29	910400500018		Spring Washer	1		
30	910200200146		Screw M6x16	1		
31	940500200040		Bushing	4		

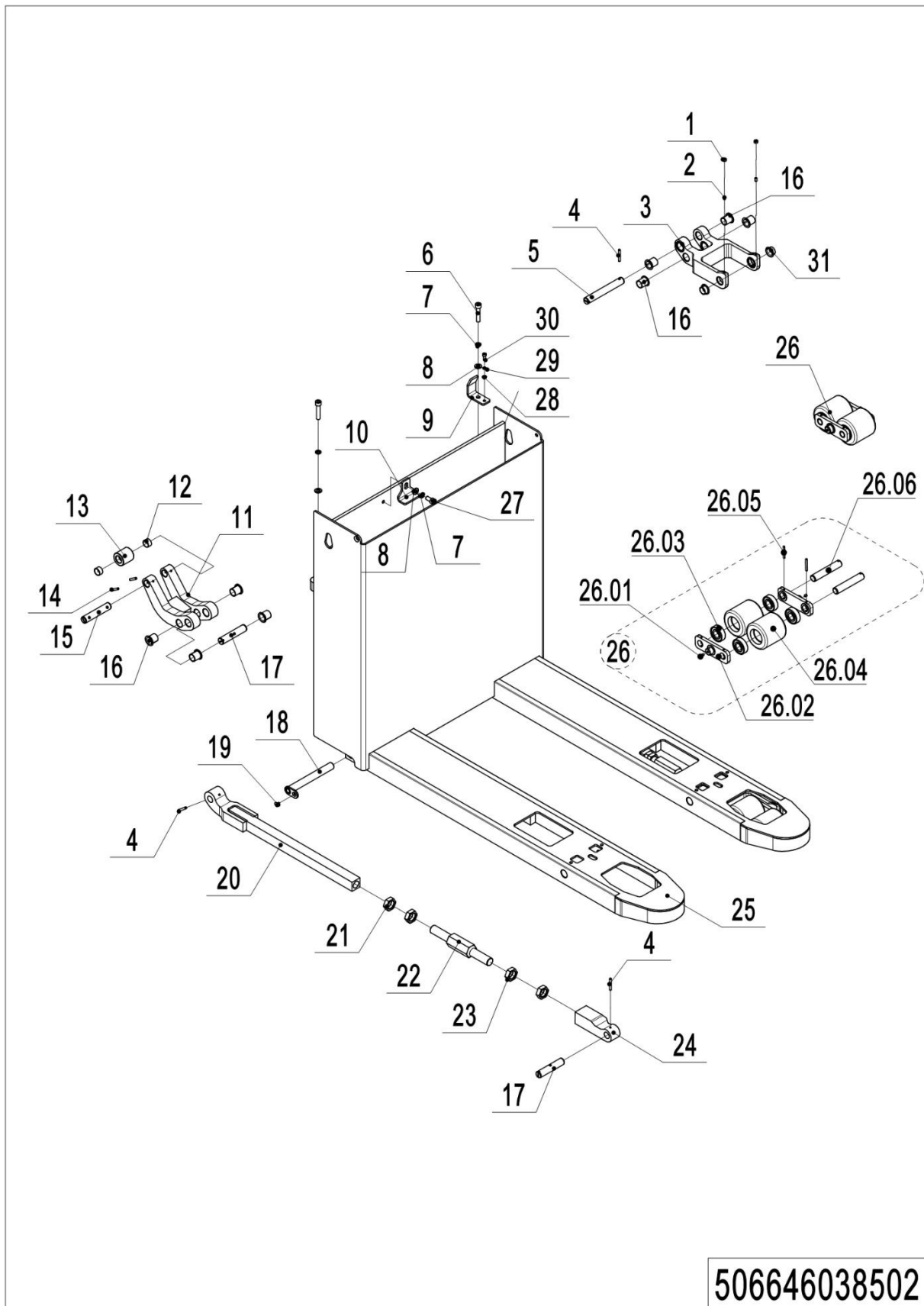
## 02 Chassis (506646038502)



## 02 Chassis (506646038502)

No.	Item Code	Mark	Item Description	Qty.	Substitute	Note
1	910300100005		Nut	4		
2	910200800011		Screw M6x10	4		
3	566538520049		Riser	2		
4	910600400028		Spring Pin	6		
5	566538520054		Pull Rod Shaft	2		
6	910200200082		Screw M10x55	2		
7	910400500007		Spring Washer	2		
8	910400100007		Flat Washer	3		
9	506638520019		Stop Plate	1		
10	506638520022		Stop Plate	1		
11	566538520068		Rib Plate	2		
12	940500100012		Bushing	4		
13	566538520056		Roller	2		
14	910600400025		Spring Pin	4		
15	566538520055		Roller Shaft	2		
16	940500200042		Bushing	16		
17	566538520053		Shaft	4		
18	507038510006		Trunnion	1		
19	910200400013		Screw M6x12	2		
20	506638510001		Pull Rod	2		
21	910300400011		Nut	4		
22	566538520033		Adjusting Rod	2		
23	910300400015		Nut	4		
24	507038520027		Connector Block	2		
25	506638510010		Chassis (685x1150)	1		
26	566517001000		Carrying Wheel Assembly	2		
26.01	911200100001		Oil Cup	4		
26.02	566517020000		Connecting Plate	4		
26.03	910700200019		Bearing	8		
26.04	940300300008		Wheel $\Phi$ 82x82	4		

## 02 Chassis (506646038502) Continuation

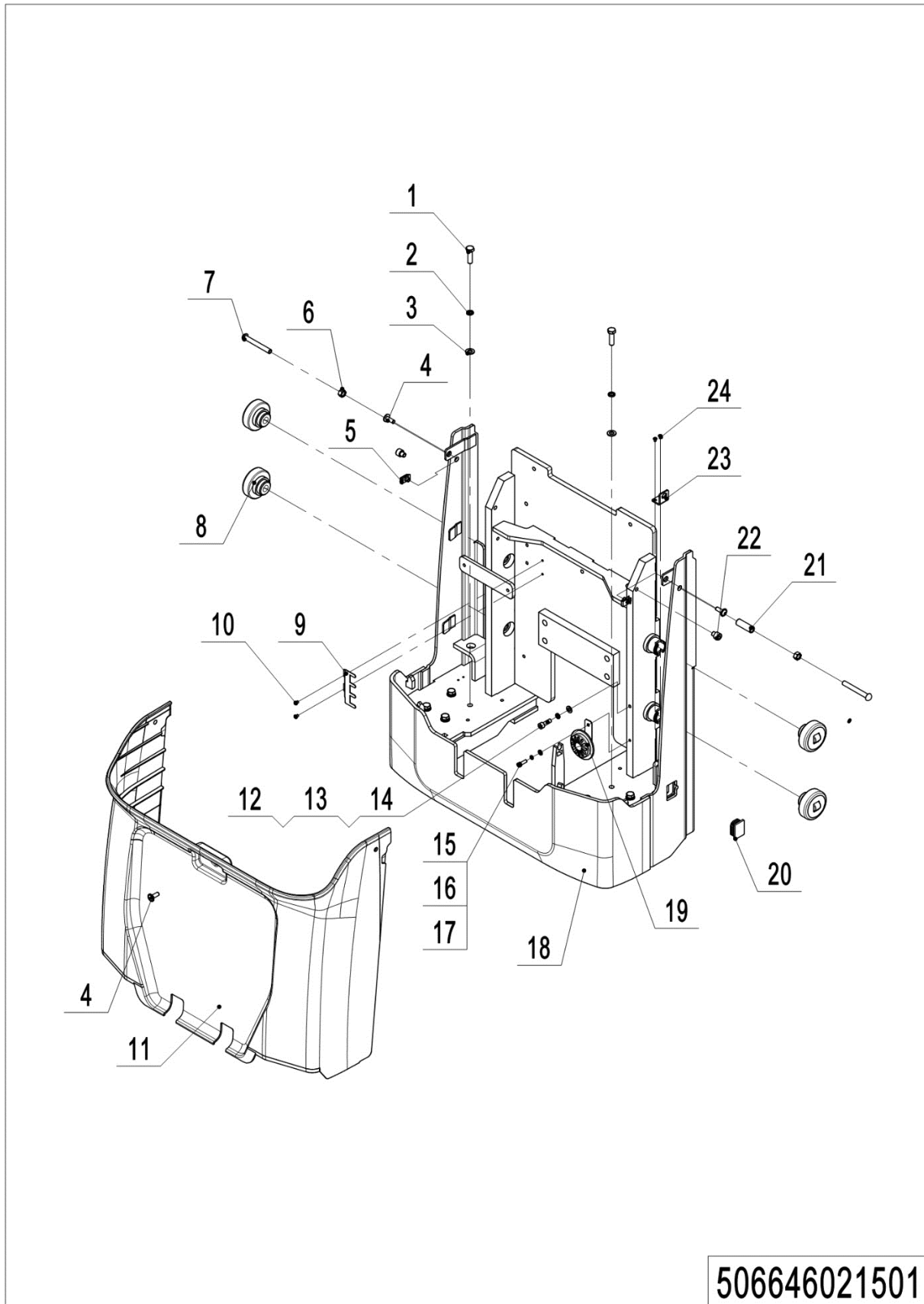


---

**02 Chassis (506646038502) Continuation**

No.	Item Code	Mark	Item Description	Qty.	Substitute	Note
26.05	910600500005		Spring Pin	4		
26.06	505617020000		Shaft	4		
27	910200200075		Screw M10x20	1		
28	910400100005		Flat Washer	1		
29	910400500018		Spring Washer	1		
30	910200200146		Screw M6x16	1		
31	940500200040		Bushing	4		

### 03 Truck Frame (506646021501)



## 03 Truck Frame (506646021501)

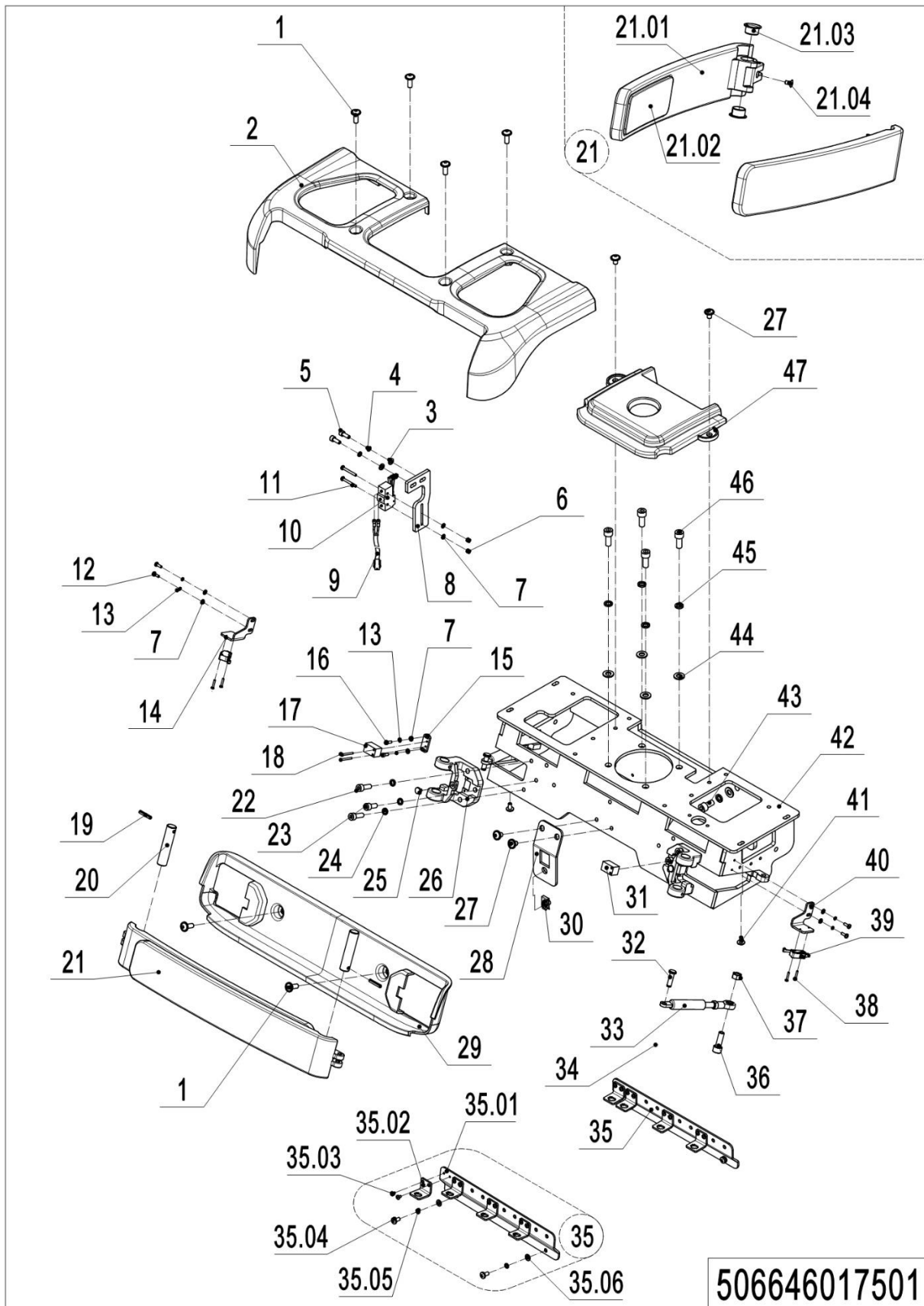
No.	Item Code	Mark	Item Description	Qty.	Substitute	Note
1	910100300038		Bolt M10x35	8		
2	910400500007		Spring Washer	8		
3	910400100007		Flat Washer	8		
4	941100100011		Screw M8x22	3		
5	940400400002		Cage Nut	2		
6	910300100007		Nut	2		
7	910200300045		Screw M10x80	2		
8	940200300003		Compound Roller	4		
9	921300300022		Connector	1		
10	910200500035		Screw M5x6	2		
11	506621520099		Guard Cover	1		
12	910200200055		Screw M8x16	2		
13	910400500006		Spring Washer	2		
14	910400100006		Flat Washer	2		
15	910200200035		Screw M6x16	1		
16	910400500005		Spring Washer	1		
17	910400100005		Flat Washer	1		
18	506621510000		Chassis	1		
19	920500100039		Horn	1		
20	506621520022		Dust Cap	1		
21	506621520018		Spacer Bush	1		
22	910200200071		Screw M10x10	2		
23	921300300003		Fixed Bracket	1		
24	910200500020		Screw M4x6	2		



## 04 Guard Arm (506646017501)

No.	Item Code	Mark	Item Description	Qty.	Substitute	Note
1	941100100011		Screw M8x22	4		
2	506617520099		Guard Cover	1		
3	910400100005		Flat Washer	2		
4	910400500005		Spring Washer	2		
5	910200200146		Screw M6x16	2		
6	910300500001		Nut	2		
7	910400100003		Flat Washer	10		
8	506617520006		Mounting Plate	1		
9	506633010001		Wire Harness	1		
10	920200300003		Microswitch	1		
11	910200500029		Screw M4x35	2		
12	910200500022		Screw M4x12	4		
13	910400500003		Spring Washer	8		
14	506617520009		Mounting Plate	1		
15	535917520011		Mounting Plate	2		
16	910200200136		Screw M4x12	4		
17	506733510004		Proximity Switch	1		
18	910200200008		Screw M3x30	4		
19	910600400025		Spring Pin	2		
20	535917520007		Shaft	2		
21	535917510001		Guard Arm Kit	2		
21.01	535917520008		Guard Arm	2		
21.02	535917520009		Guard Mat	2		
21.03	940500200003		Bushing	2		
21.04	910200400009		Screw M5x8	4		
22	910200200058		Screw M8x25	4		
23	910200200057		Screw M8x20	2		
24	910400500006		Spring Washer	6		
25	535917520012		Guard Mat	2		
26	535917520006		Mounting Base	2		

## 04 Guard Arm (506646017501) Continuation

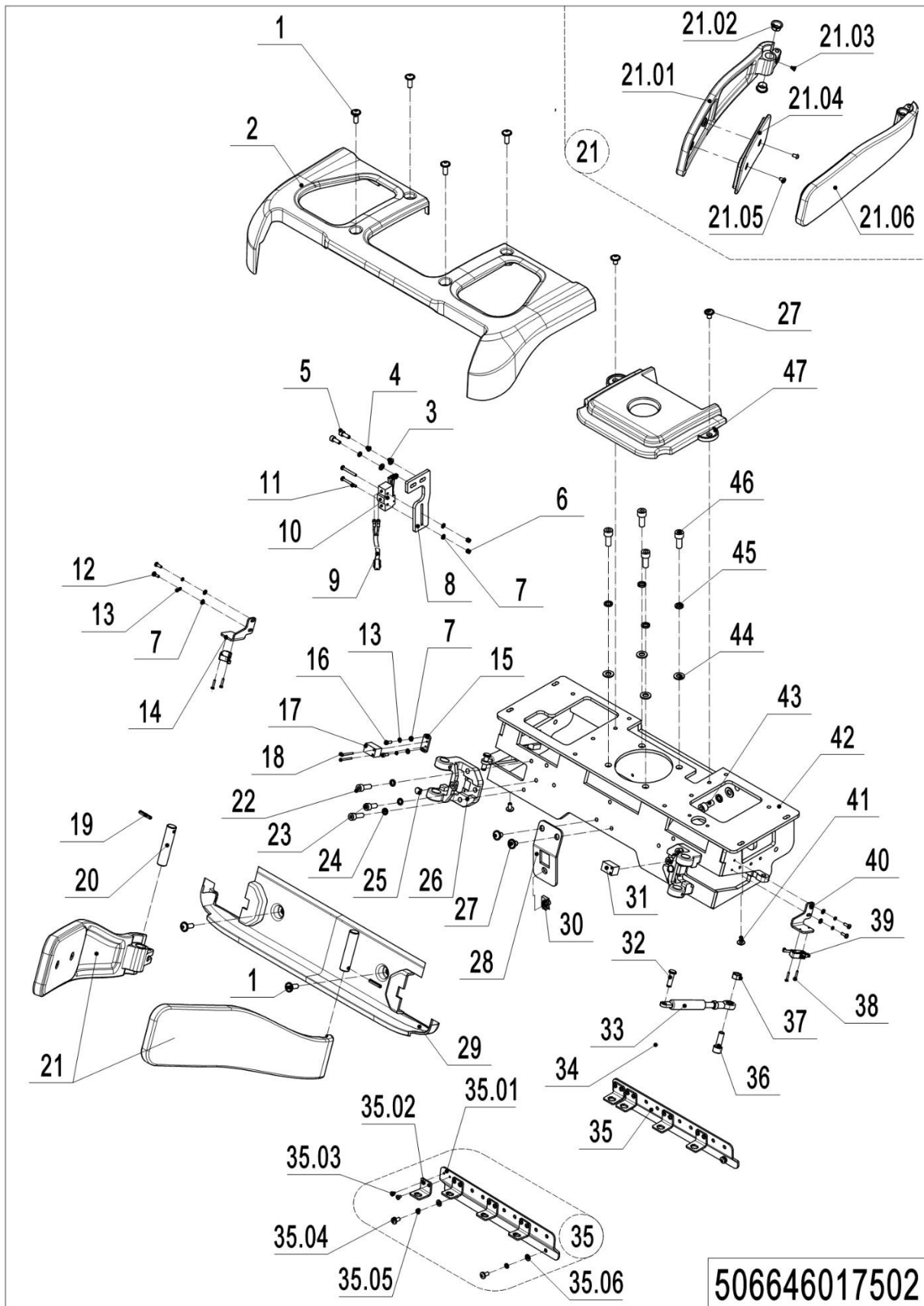


1= Supply as package. 2= Supply with constraints. 3= Phasing-out supply. 4= Supply as assembly. 5= Check other tables.

## 04 Guard Arm (506646017501) Continuation

No.	Item Code	Mark	Item Description	Qty.	Substitute	Note
27	941100100001		Screw M8x12	4		
28	506617520007		Connecting Plate	1		
29	535921520041		Guard Cover	1		
30	940400400002		Cage Nut	1		
31	506733510005		Proximity Switch	1		
32	535917520010		Shaft	2		
33	940400100037		Gas Spring	2		
34	910401300001		Circlip (Shaft)	2		
35	506617510010		Mounting Plate	1		
35.01	506617520008		Mounting Plate	3		
35.02	921300300003		Fixed Bracket	4		
35.03	910200500020		Screw M4x6	8		
35.04	910200500051		Screw M6x12	2		
35.05	910400500005		Spring Washer	2		
35.06	910400100005		Flat Washer	2		
36	910200200077		Screw M10x30	2		
37	910300100007		Nut	2		
38	910200500014		Screw M3x16	4		
39	920200300016		Microswitch	2		
40	506617520010		Mounting Plate	1		
41	941100100009		Screw M6x12	2		
42	506617510000		Bracket	1		
43	910200200075		Screw M10x20	4		
44	910400100007		Flat Washer	8		
45	910400500007		Spring Washer	8		
46	910200200076		Screw M10x25	4		
47	535921520042		Guard Cover	1		

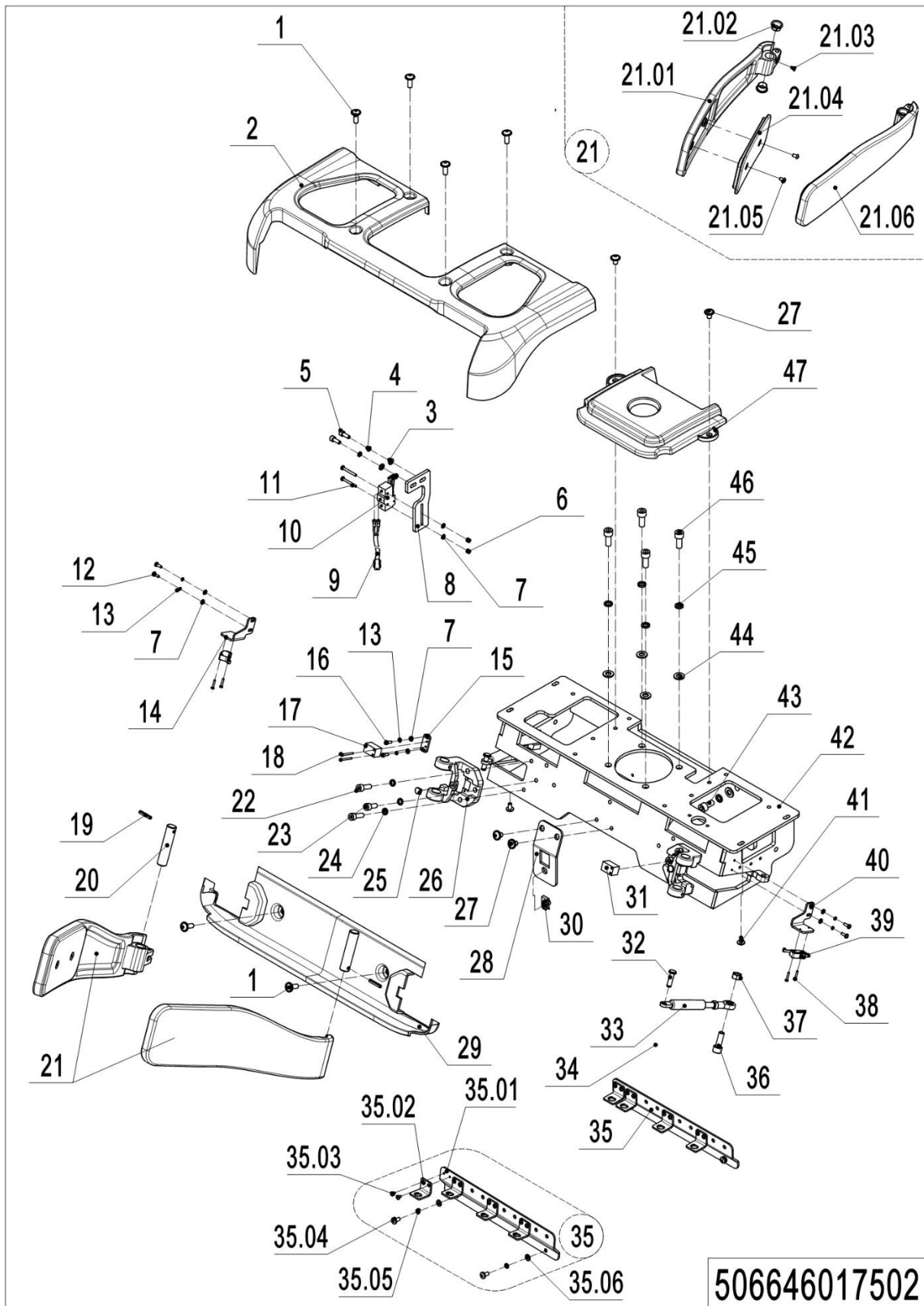
## 05 Guard Arm (506646017502)



## 05 Guard Arm (506646017502)

No.	Item Code	Mark	Item Description	Qty.	Substitute	Note
1	941100100011		Screw M8x22	4		
2	506617520099		Guard Cover	1		
3	910400100005		Flat Washer	2		
4	910400500005		Spring Washer	2		
5	910200200146		Screw M6x16	2		
6	910300500001		Nut	2		
7	910400100003		Flat Washer	10		
8	506617520006		Mounting Plate	1		
9	506633010001		Wire Harness	1		
10	920200300003		Microswitch	1		
11	910200500029		Screw M4x35	2		
12	910200500022		Screw M4x12	4		
13	910400500003		Spring Washer	8		
14	506617520009		Mounting Plate	1		
15	535917520011		Mounting Plate	2		
16	910200200136		Screw M4x12	4		
17	506733510004		Proximity Switch	1		
18	910200200008		Screw M3x30	4		
19	910600400025		Spring Pin	2		
20	535917520007		Shaft	2		
21	506698510001		Protective Arm	2		
21.01	506617520091		Guard Arm	1		
21.02	940500200003		Bushing	4		
21.03	910200400009		Screw M5x8	2		
21.04	506617520093		Buffer Pad	2		
21.05	910200300016		Screw M6x10	4		
21.06	506617520092		Guard Arm	1		
22	910200200058		Screw M8x25	4		
23	910200200057		Screw M8x20	2		
24	910400500006		Spring Washer	6		

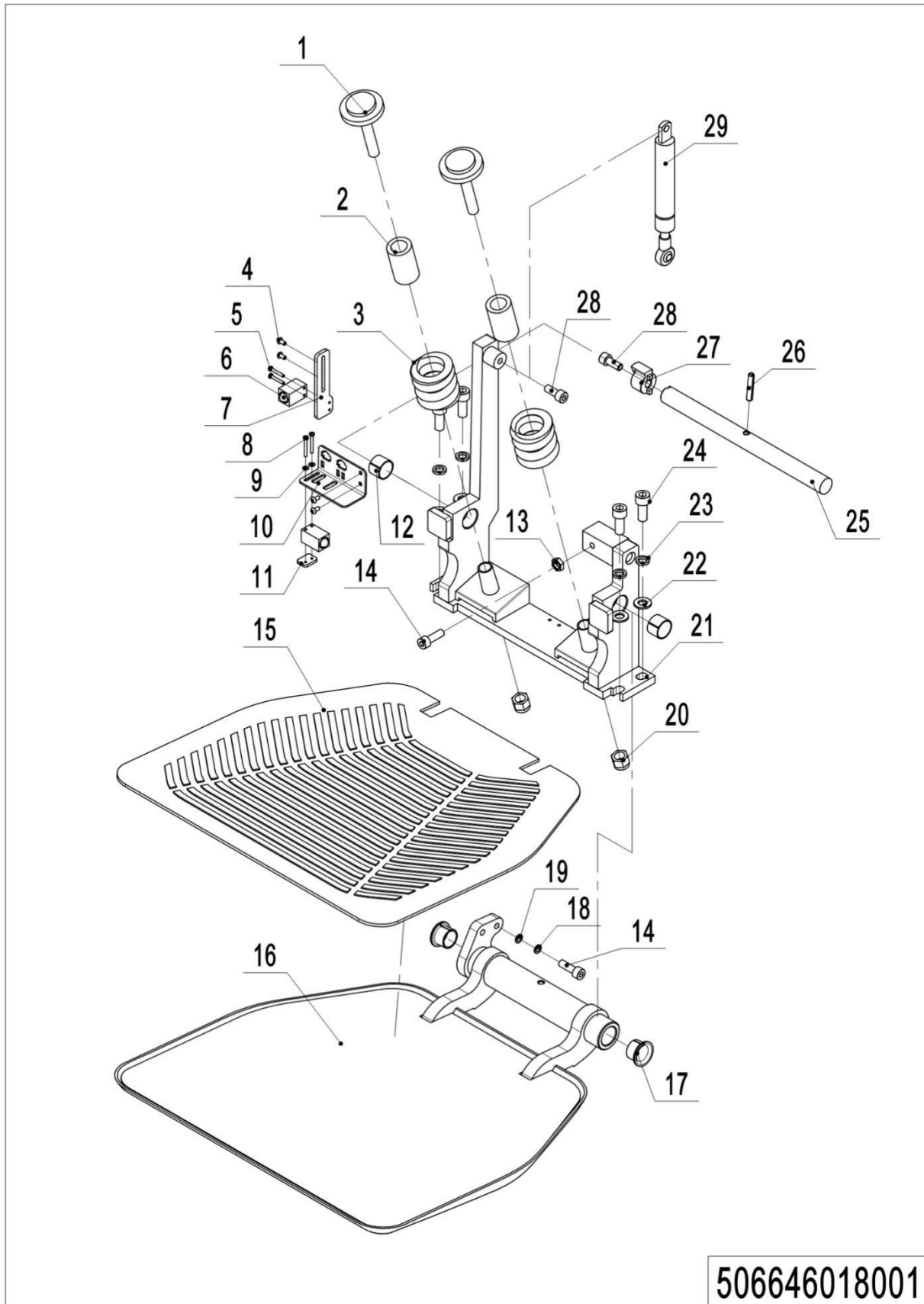
## 05 Guard Arm (506646017502) Continuation



## 05 Guard Arm (506646017502) Continuation

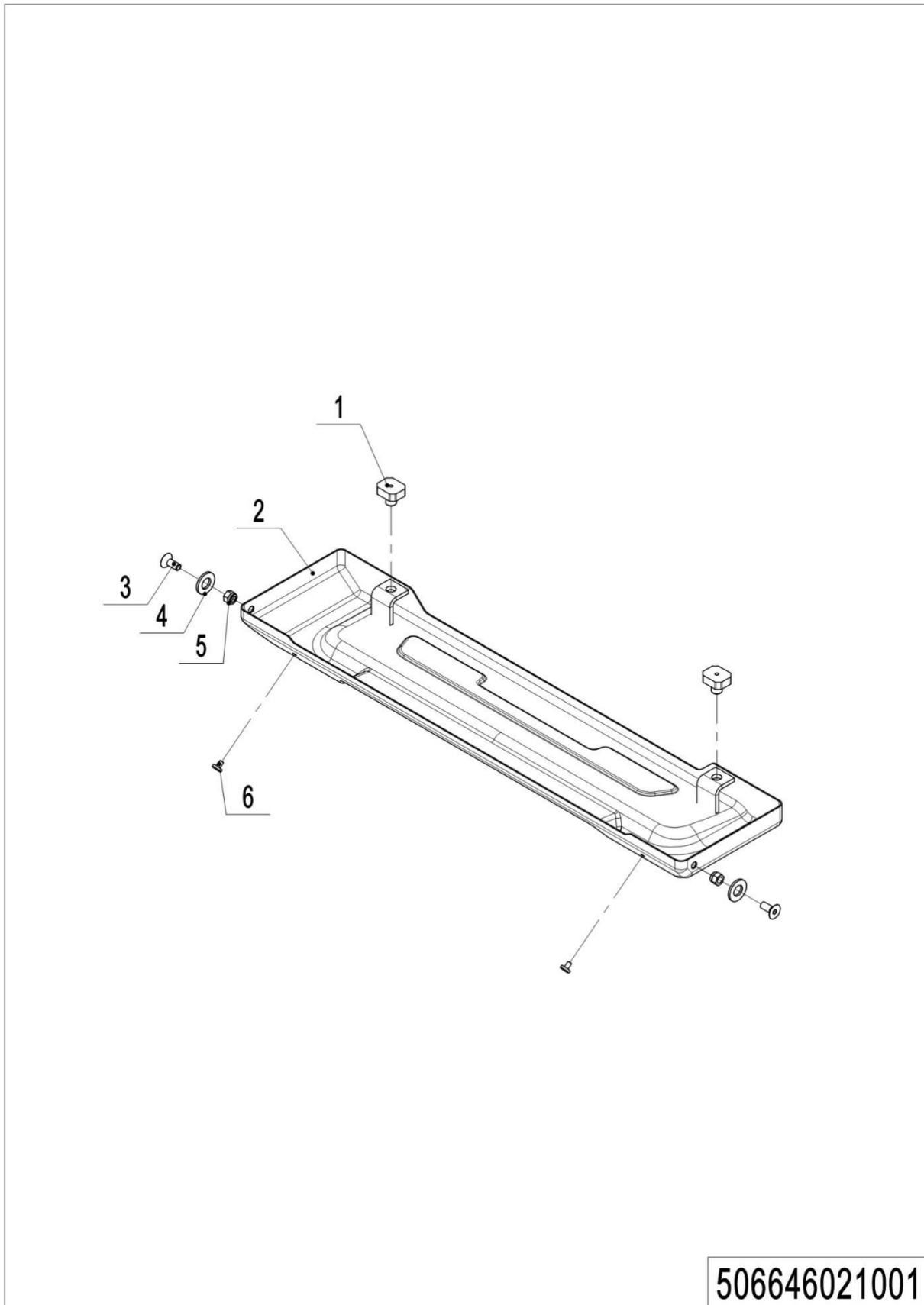
No.	Item Code	Mark	Item Description	Qty.	Substitute	Note
25	535917520012		Guard Mat	2		
26	535917520006		Mounting Base	2		
27	941100100001		Screw M8x12	4		
28	506617520007		Connecting Plate	1		
29	506617520094		Protective Cover	1		
30	940400400002		Cage Nut	1		
31	506733510005		Proximity Switch	1		
32	535917520010		Shaft	2		
33	940400100037		Gas Spring	2		
34	910401300001		Circlip (Shaft)	2		
35	506617510010		Mounting Plate	1		
35.01	506617520008		Mounting Plate	3		
35.02	921300300003		Fixed Bracket	4		
35.03	910200500020		Screw M4x6	8		
35.04	910200500051		Screw M6x12	2		
35.05	910400500005		Spring Washer	2		
35.06	910400100005		Flat Washer	2		
36	910200200077		Screw M10x30	2		
37	910300100007		Nut	2		
38	910200500014		Screw M3x16	4		
39	920200300016		Microswitch	2		
40	506617520010		Mounting Plate	1		
41	941100100009		Screw M6x12	2		
42	506617510000		Bracket	1		
43	910200200075		Screw M10x20	4		
44	910400100007		Flat Washer	8		
45	910400500007		Spring Washer	8		
46	910200200076		Screw M10x25	4		
47	535921520042		Guard Cover	1		

## 06 Platform (506646018001)



## 06 Platform (506646018001)

No.	Item Code	Mark	Item Description	Qty.	Substitute	Note
1	535918020017		Bolt M12x72	2		
2	535918020018		Cushion Collar	2		
3	535918020016		Compression Spring	2		
4	910200300005		Screw M4x8	4		
5	910200500015		Screw M3x20	2		
6	506733510001		Proximity Switch	2		
7	535918020025		Mounting Plate	1		
8	910200500016		Screw M3x25	2		
9	910400100002		Flat Washer	2		
10	535918020026		Mounting Plate	1		
11	535918020027		Mounting Plate	1		
12	940500200008		Bushing	2		
13	910300100007		Nut	1		
14	910200200058		Screw M8x25	2		
15	535918020019		Platform Pad	1		
16	535918010001		Platform	1		
17	940500100019		Bushing	2		
18	910400500006		Spring Washer	1		
19	910400100006		Flat Washer	1		
20	910300500006		Nut	2		
21	506618010000		Mounting Base	1		
22	910400100007		Flat Washer	2		
23	910400500007		Spring Washer	2		
24	910200200076		Screw M10x25	2		
25	535918020024		Shaft	1		
26	910600400040		Spring Pin	1		
27	535918020023		Induction Block	1		
28	910200200057		Screw M8x20	1		
29	940400100057		Gas Spring	1		

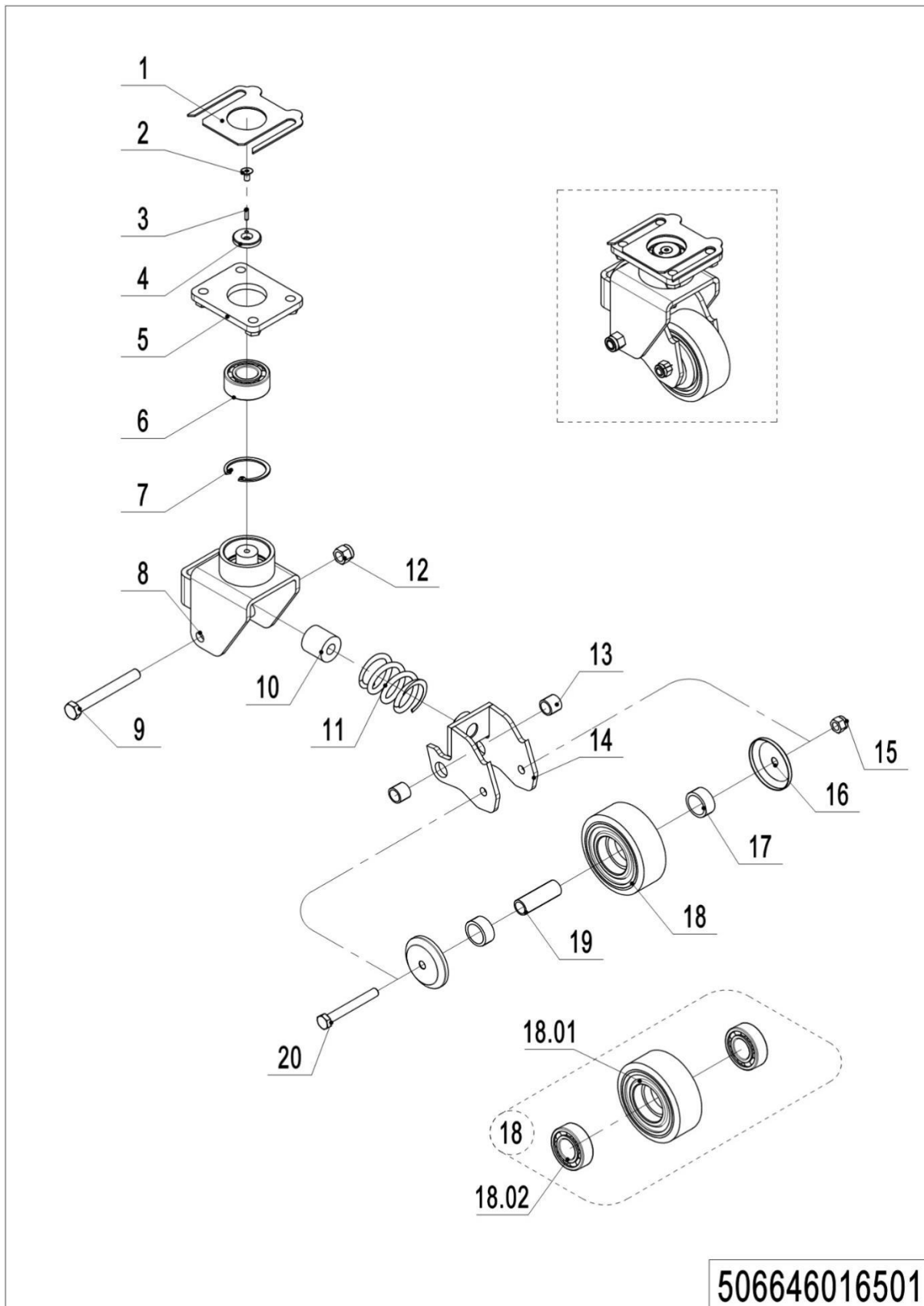
**07 Battery Cover (506646021001)**

1= Supply as package. 2= Supply with constraints. 3= Phasing-out supply. 4= Supply as assembly. 5= Check other tables.

---

**07 Battery Cover (506646021001)**

No.	Item Code	Mark	Item Description	Qty.	Substitute	Note
1	505938520016		Crash Pad	2		
2	506621010000		Cell Cover	1		
3	910200400025		Screw M8x20	2		
4	506621020002		Gasket	2		
5	910300500004		Nut	2		
6	535917520012		Guard Mat	2		

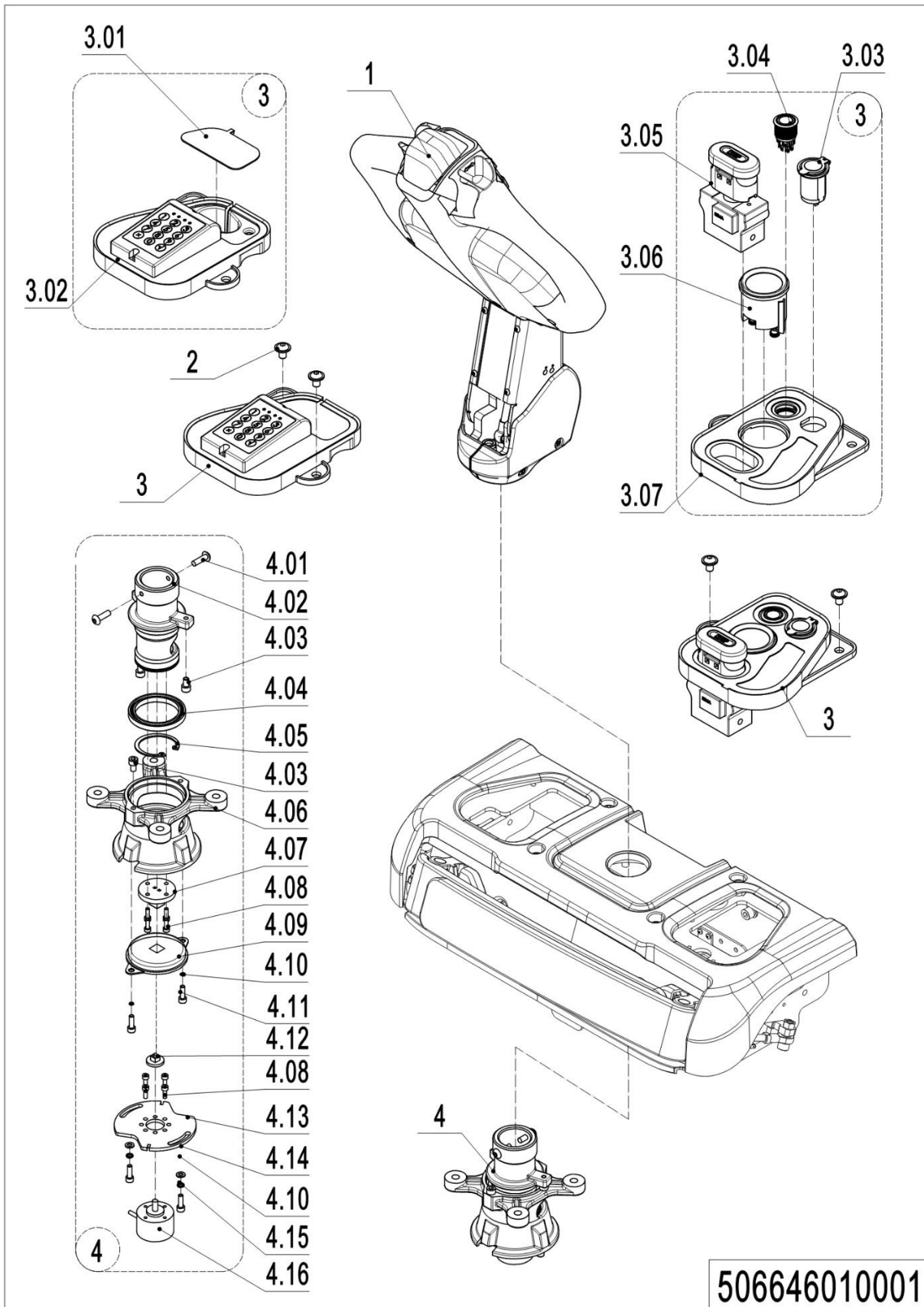
**08 Caster (505646016501)**

## 08 Caster (505646016501)

No.	Item Code	Mark	Item Description	Qty.	Substitute	Note
--	505016510001		Caster Assembly	2		
1	505616520014		Gasket	2		
2	941100300001		Screw M6x14	2		
3	910600100004		Cylindrical Pin	2		
4	505616520007		Circlip (Shaft)	2		
5	505616510002		Connecting Plate	2		
6	910700500002		Bearing	2		
7	910401400016		Circlip (Hole)	2		
8	505616510001		Wheel Carrier	2		
9	941100200002		Bolt M12x100	2		
10	505616520000		Spring	2		
11	940400500007		Compression Spring	2		
12	910300500006		Nut	1		
13	940500100002		Bushing	4		
14	505616510003		Whirling Arm	2		
15	910300500005		Nut	1		
16	505616520011		Dust Cap	4		
17	505616520012		Circlip	4		
18	505698510000		Wheel Accessories	2		
18.01	940300300018		Wheel $\Phi$ 100x40	2		
18.02	910700200019		Bearing	4		
19	505616520013		Bushing	2		
20	910100100038		Bolt M10x80	2		

## Chapter 4: Steering System, Braking System, Wheels

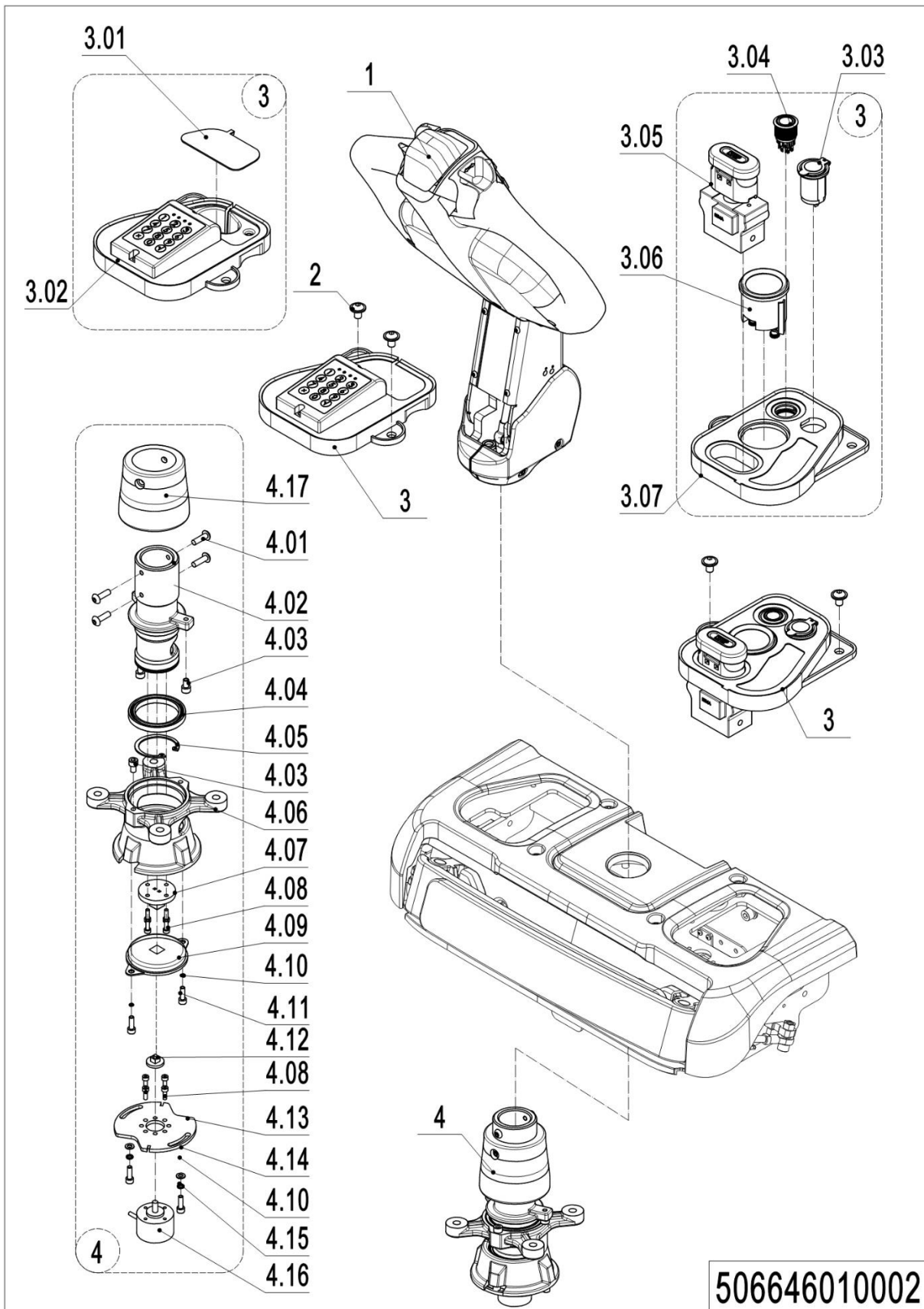
### 01 Operating panel (506646010001)



## 01 Operating panel (506646010001)

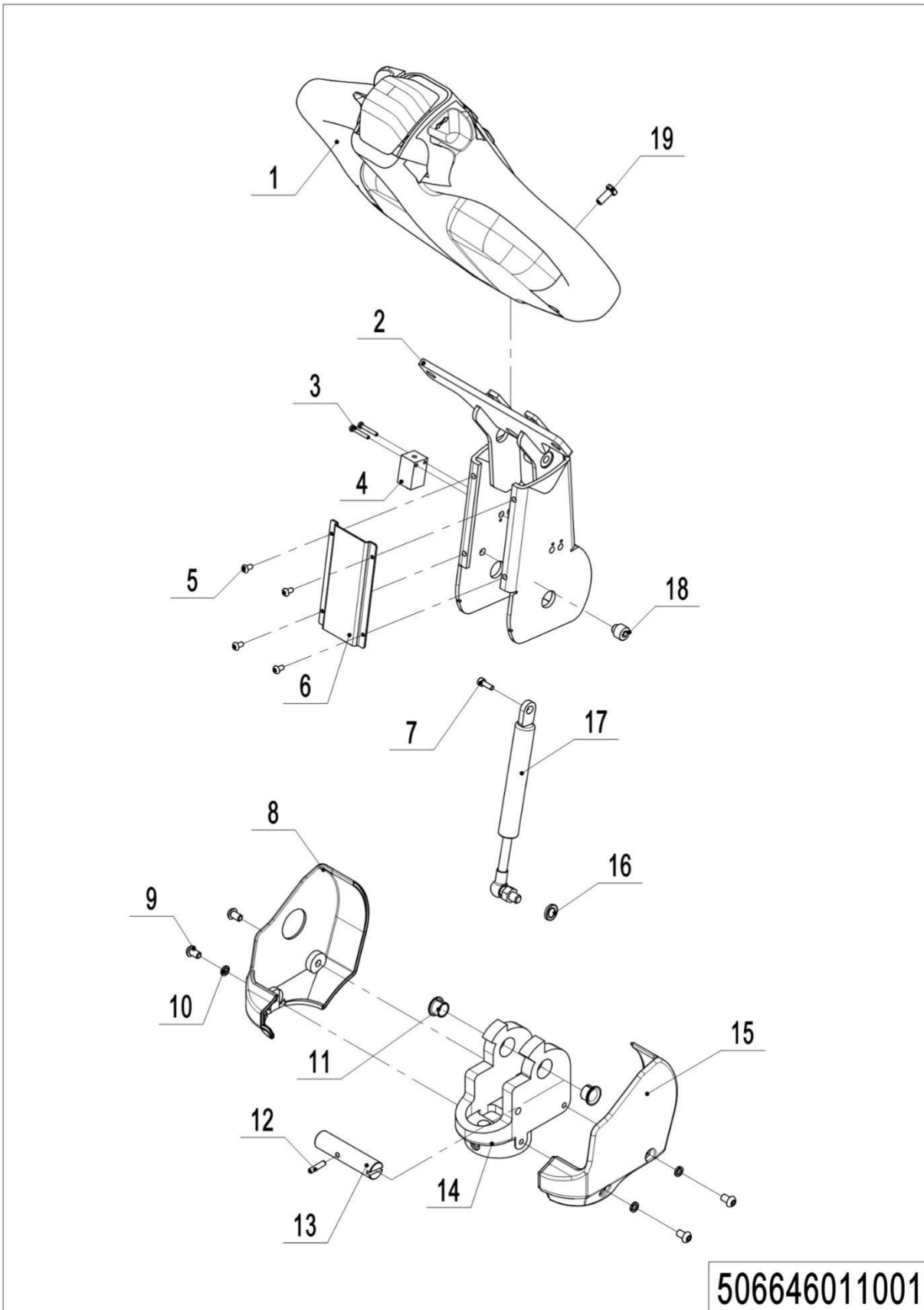
No.	Item Code	Mark	Item Description	Qty.	Substitute	Note
1	506611001001		Tiller Assembly	1		
2	941100100001		Screw M8x12	4		
3	506610001004		Display Kit	1		
3.01	535910020003		Close Plate	1		
3.02	920200200014		Coded Lock	1		
3.03	506733010066		USB Kit	1		
3.04	506634010000		Button	1		
3.05	920200100032		Emergency Switch	1		
3.06	921100100135		Display	1		
3.07	535910020001		Dashboard	1		
4	535931501001		Electronic Steering Kit	1		
4.01	910200300016		Screw M6x10	2		
4.02	535931520001		Shaft Holder	1		
4.03	910200200032		Screw M6x10	3		
4.04	910700200041		Bearing	1		
4.05	910401300024		Circlip (Shaft)	1		
4.06	505631520002		Fixed Base	1		
4.07	505631520005		Connector Block	1		
4.08	910200200014		Screw M4x12	8		
4.09	940801200005		Rotary Damper	1		
4.10	910400500004		Spring Washer	4		
4.11	910200200022		Screw M5x12	2		
4.12	505931520002		Connector Block	1		
4.13	535931520002		Mounting Plate	1		
4.14	910400100004		Washer	2		
4.15	910200200023		Screw M5x16	2		
4.16	921800100037		Sensor	1		

## 02 Operating panel (506646010002)



## 02 Operating panel (506646010002)

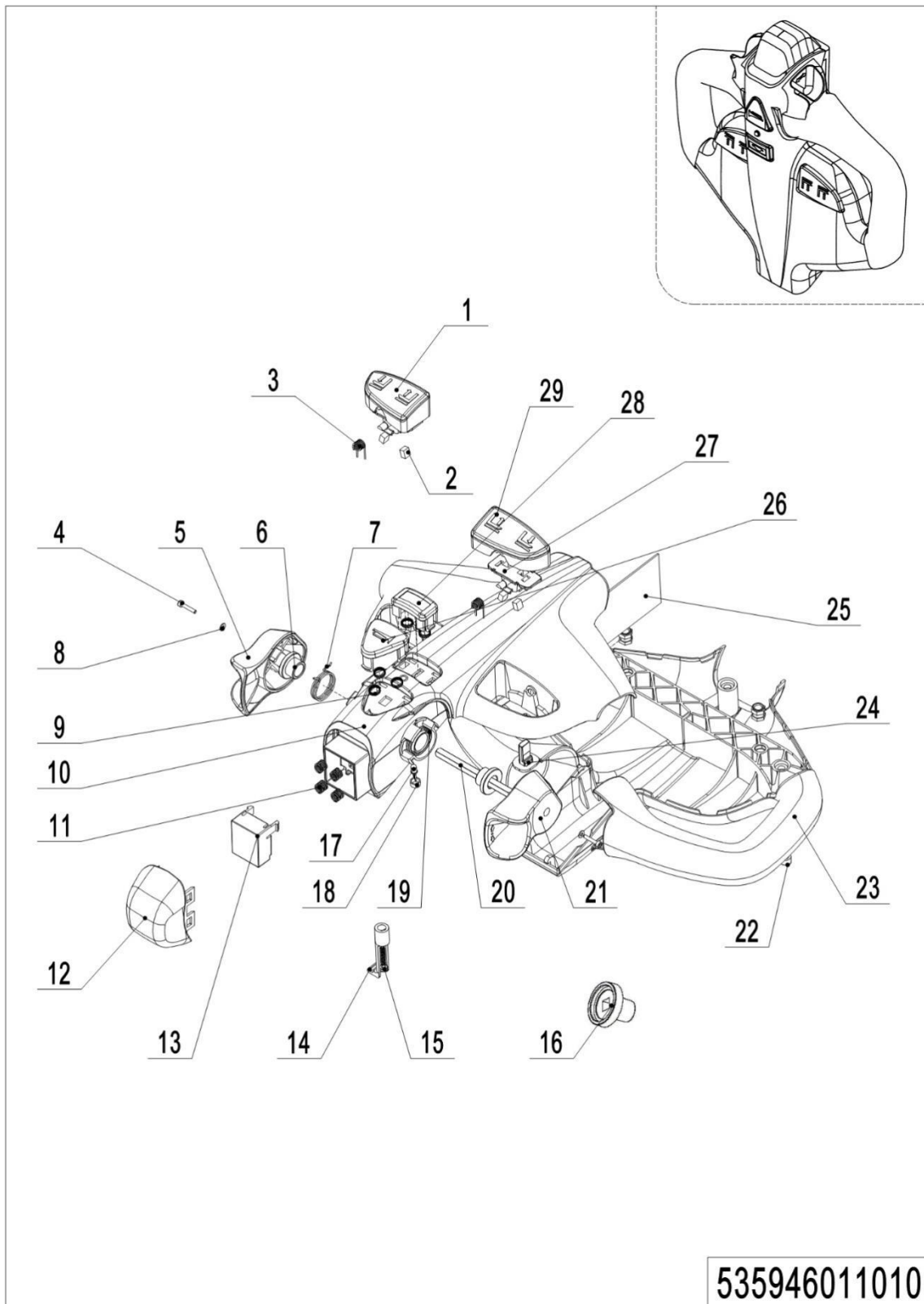
No.	Item Code	Mark	Item Description	Qty.	Substitute	Note
1	506611001001		Tiller Assembly	1		
2	941100100001		Screw M8x12	4		
3	506610001004		Display Kit	1		
3.01	535910020003		Close Plate	1		
3.02	920200200014		Coded Lock	1		
3.03	506733010066		USB Kit	1		
3.04	506634010000		Button	1		
3.05	920200100032		Emergency Switch	1		
3.06	921100100135		Display	1		
3.07	535910020001		Dashboard	1		
4	535931501004		Electronic Steering Assembly	1		
4.01	910200300016		Screw M6x10	4		
4.02	535931520005		Bracket	1		
4.03	910200200032		Screw M6x10	3		
4.04	910700200041		Bearing	1		
4.05	910401300024		Circlip (Shaft)	1		
4.06	505631520002		Fixed Base	1		
4.07	505631520005		Connector Block	1		
4.08	910200200014		Screw M4x12	8		
4.09	940801200005		Rotary Damper	1		
4.10	910400500004		Spring Washer	4		
4.11	910200200022		Screw M5x12	2		
4.12	505931520002		Connector Block	1		
4.13	535931520002		Mounting Plate	1		
4.14	910400100004		Washer	2		
4.15	910200200023		Screw M5x16	2		
4.16	921800100037		Sensor	1		
4.17	535931520006		Cover	1		

**03 Tiller Unit (535946011001)**

## 03 Tiller Unit (535946011001)

No.	Item Code	Mark	Item Description	Qty.	Substitute	Note
1	922100100001		Tiller	1		
2	535911010001		Tiller Rod	1		
3	910200500015		Screw M3x20	2		
4	505633510000		Proximity Switch	1		
5	910200300005		Screw M4x8	4		
6	535911020008		Close Plate	1		
7	910200200057		Screw M8x20	1		
8	535911020005		Guard Cover	1		
9	910200300016		Screw M6x10	4		
10	910400500005		Spring Washer	4		
11	940500200002		Bushing	2		
12	910600400013		Spring Pin	1		
13	505611020008		Shaft	1		
14	535911020009		Tiller Bracket	1		
15	535911020006		Guard Cover	1		
16	910400100006		Flat Washer	1		
17	940400100045		Gas Spring	1		
18	505611020007		Stop Screw M8x5	1		
19	910200200058		Screw M8x25	2		

## 04 Control Handle (535946011010)

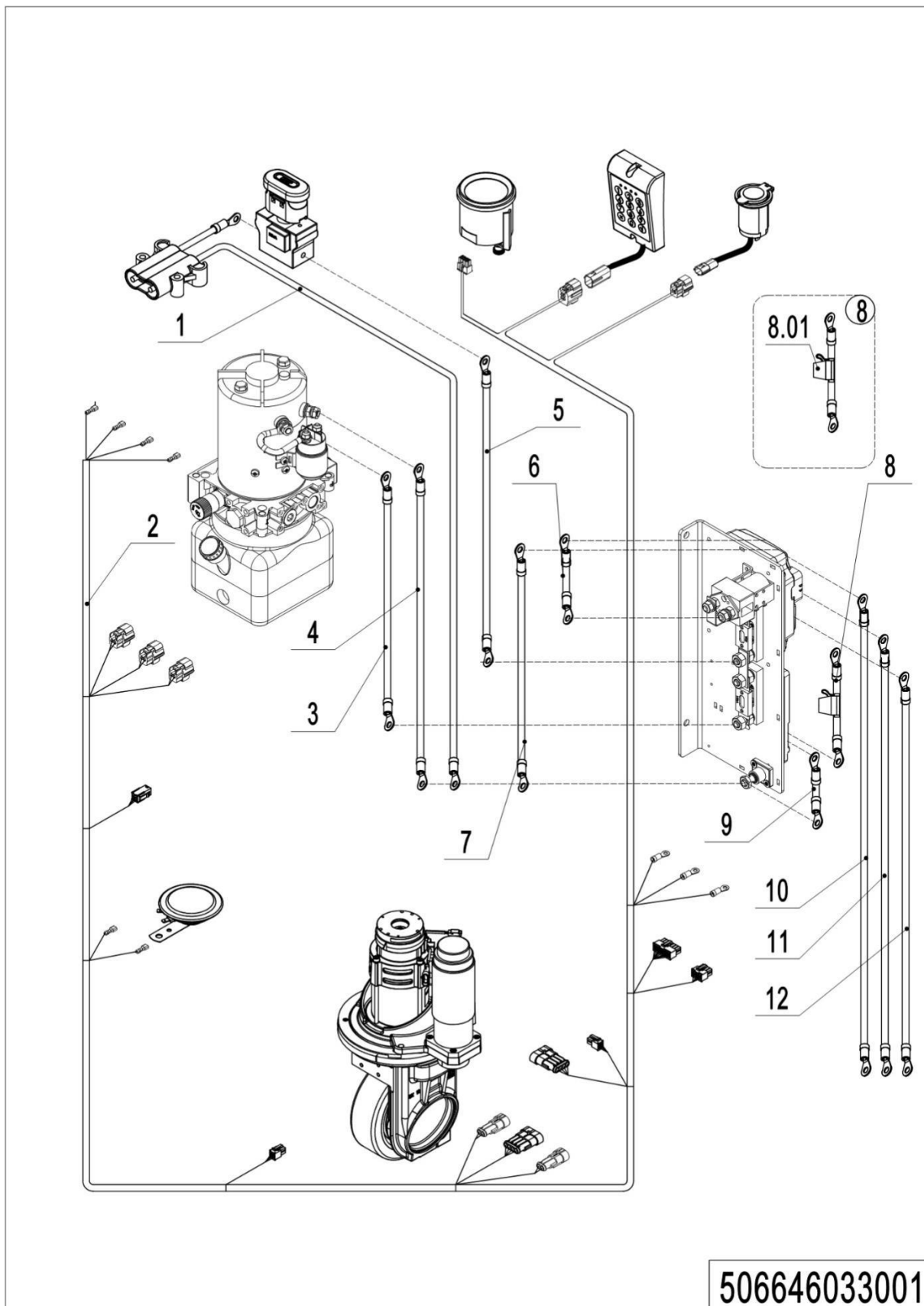


## 04 Control Handle (535946011010)

No.	Item Code	Mark	Item Description	Qty.	Substitute	Note
1	505698520016		Left Button	1		
2	505698520005		Magnet	4		
3	505698520018		Torsional Spring	2		
4	505698520008		Screw M3X16	2		
5	505698520001		Left Travel Knob	1		
6	505698520004		Sleeve	2		
7	505698520027		Torsional Spring	1		
8	505698520009		Washer	2		
9	505698520003		Horn Button Spring	5		
10	505698520099		O-Ring	1		
11	505698520006		Spring	4		
12	505698520020		Button Cap	1		
13	505698520100		Paper Washer	1		
14	505698520012		Clamp	1		
15	505698520023		Screw ST4. 2X25	1		
16	505698520102		Subplate	2		
17	505698520024		Lamp	1		
18	505698520025		Lamp Holder	1		
19	505698520026		Torsional Spring	1		
20	505698520011		Shaft-Traction Lever	1		
21	505698520010		Drive Knob	1		
22	505698520007		Screw M6X10	3		
23	505698520015		Tiller Cap	1		
24	505698520013		Sensor	2		
25	505698520101		Flange	1		
26	505698520002		Horn Button	1		
27	505698520017		Fixed Base	2		
28	505698520021		Button Cap	1		
29	505698520022		Right Button	1		

## Chapter 5: Electrical Parts

### 01 Wire Harness (506646033001)

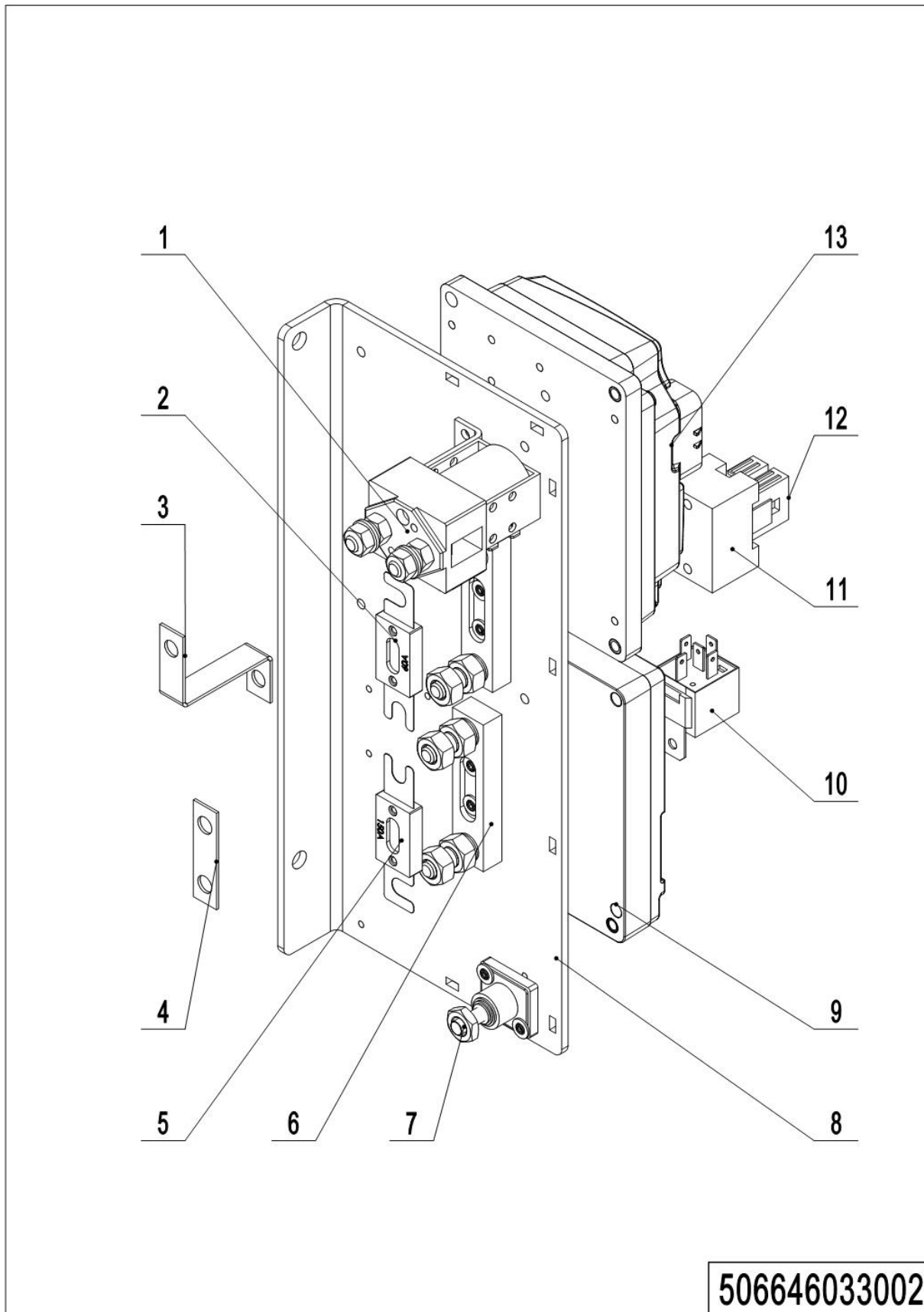


1= Supply as package. 2= Supply with constraints. 3= Phasing-out supply. 4= Supply as assembly. 5= Check other tables.

---

**01 Wire Harness (502546033001)**

No.	Item Code	Mark	Item Description	Qty.	Substitute	Note
1	506633010011		Wire Harness	1		
2	506633010000		Wire Harness	1		
3	506633010004		Cable	1		
4	506633010003		Cable	1		
5	506633010005		Cable	1		
6	506633010006		Cable	1		
7	506633010002		Cable	1		
8	506633010010		Connection Wire	1		
8.01	920100200013		Fuse	1		
9	506633010012		Connection Wire	1		
10	506633010007		Cable	1		
11	506633010008		Cable	1		
12	506633010009		Cable	1		

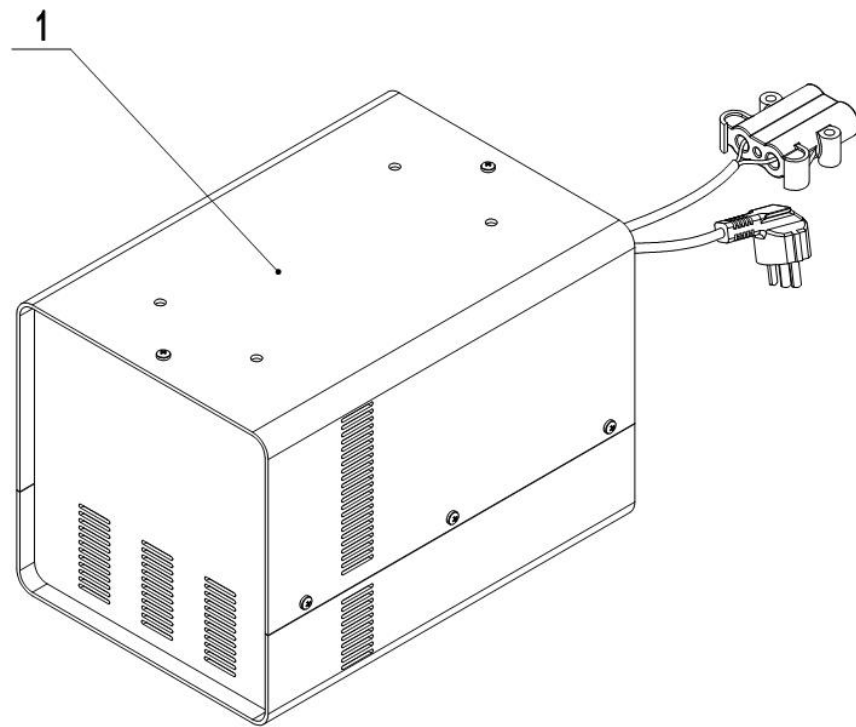
**02 Controller (536646033002)**

1= Supply as package. 2= Supply with constraints. 3= Phasing-out supply. 4= Supply as assembly. 5= Check other tables.

---

**02 Controller (536646033002)**

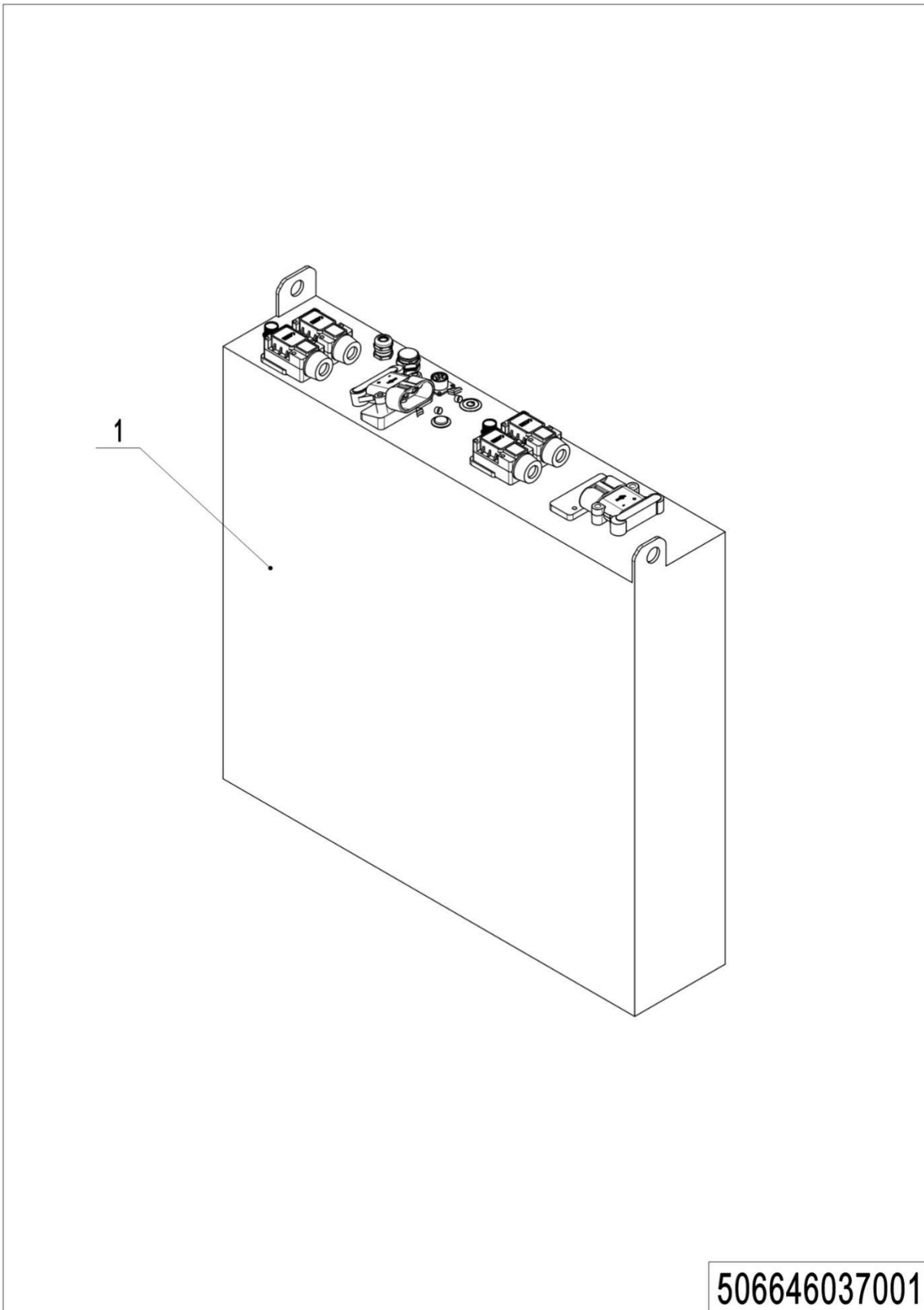
No.	Item Code	Mark	Item Description	Qty.	Substitute	Note
1	920700100017		Contactator	1		
2	920100100007		Fuse	1		
3	505633020002		Copper Busbar	1		
4	505633020003		Copper Busbar	1		
5	920100100004		Fuse	1		
6	920100400002		Fuse Holder	2		
7	920100400001		Fuse Holder	1		
8	506633020000		Mounting Plate	1		
9	506633210002		Controller	1		
10	920800100011		Relay	1		
11	920100400005		Fuse Holder	1		
12	920100200002		Fuse	1		
13	506633210000		Controller	1		

**03 Charger (502546036501)****506646036501**

---

**03 Charger (502546036501)**

No.	Item Code	Mark	Item Description	Qty.	Substitute	Note
1	921000200531		Charger 24V80A (Asia-CHN)	1		
1	921000200532		Charger 24V80A (Asia-EN)	1		
1	921000200533		Charger 24V80A (EU)	1		
1	921000200534		Charger 24V80A (ENG)	1		
1	921000200535		Charger 24V80A (AUS)	1		
1	921000200536		Charger 24V80A (ISR)	1		
1	921000200537		Charger 24V80A (ARG)	1		
1	921000200538		Charger 24V80A (ZA)	1		
1	921000200539		Charger 24V80A (US)	1		

**04 Lithium battery (506646037001)**

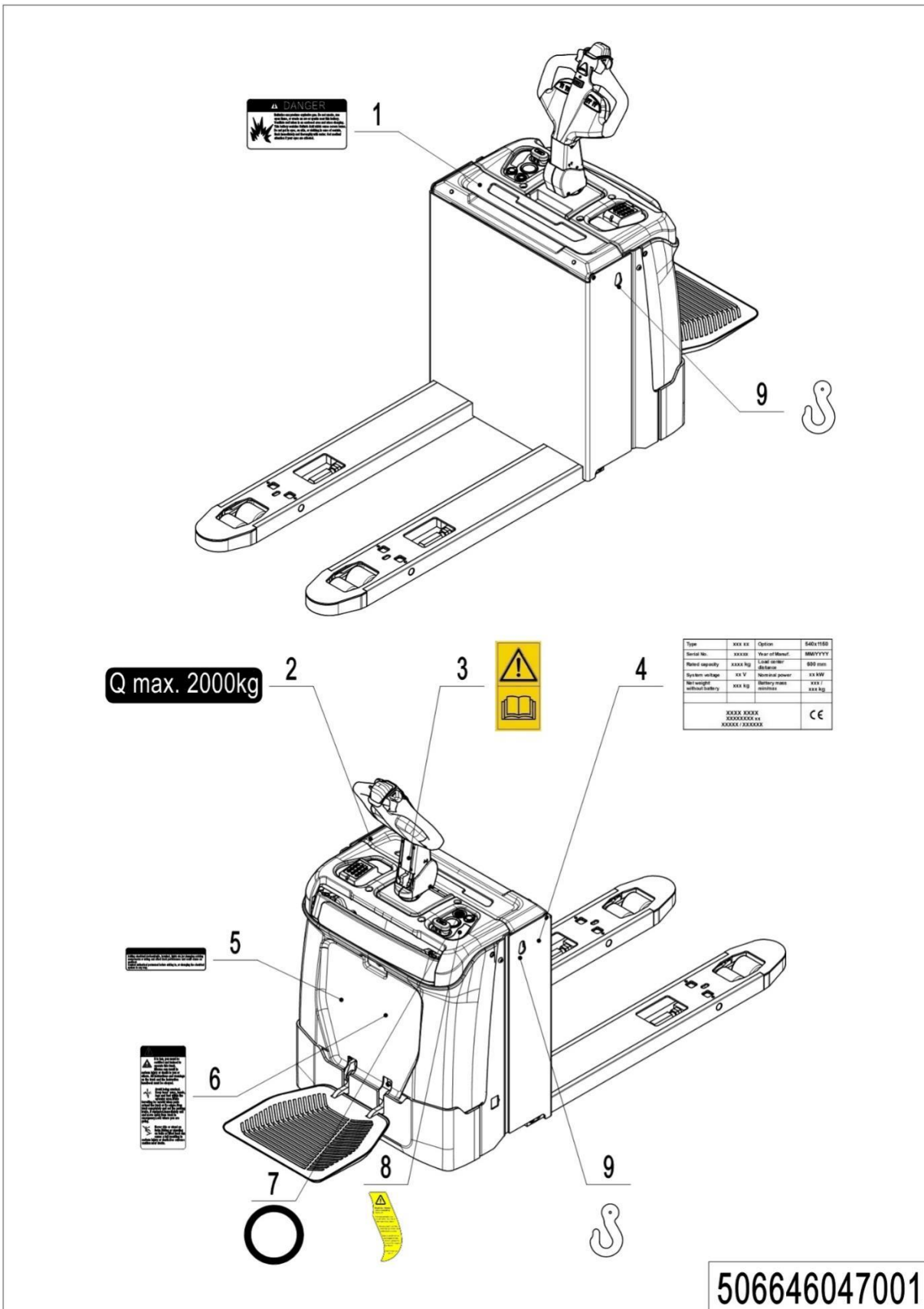
---

**04 Lithium battery (506646037001)**

<b>No.</b>	<b>Item Code</b>	<b>Mark</b>	<b>Item Description</b>	<b>Qty.</b>	<b>Substitute</b>	<b>Note</b>
1	920600100927		Li Battery25. 6V150Ah	1		

Chapter 6: Others

01 Labels, Decals-US (506646047001)

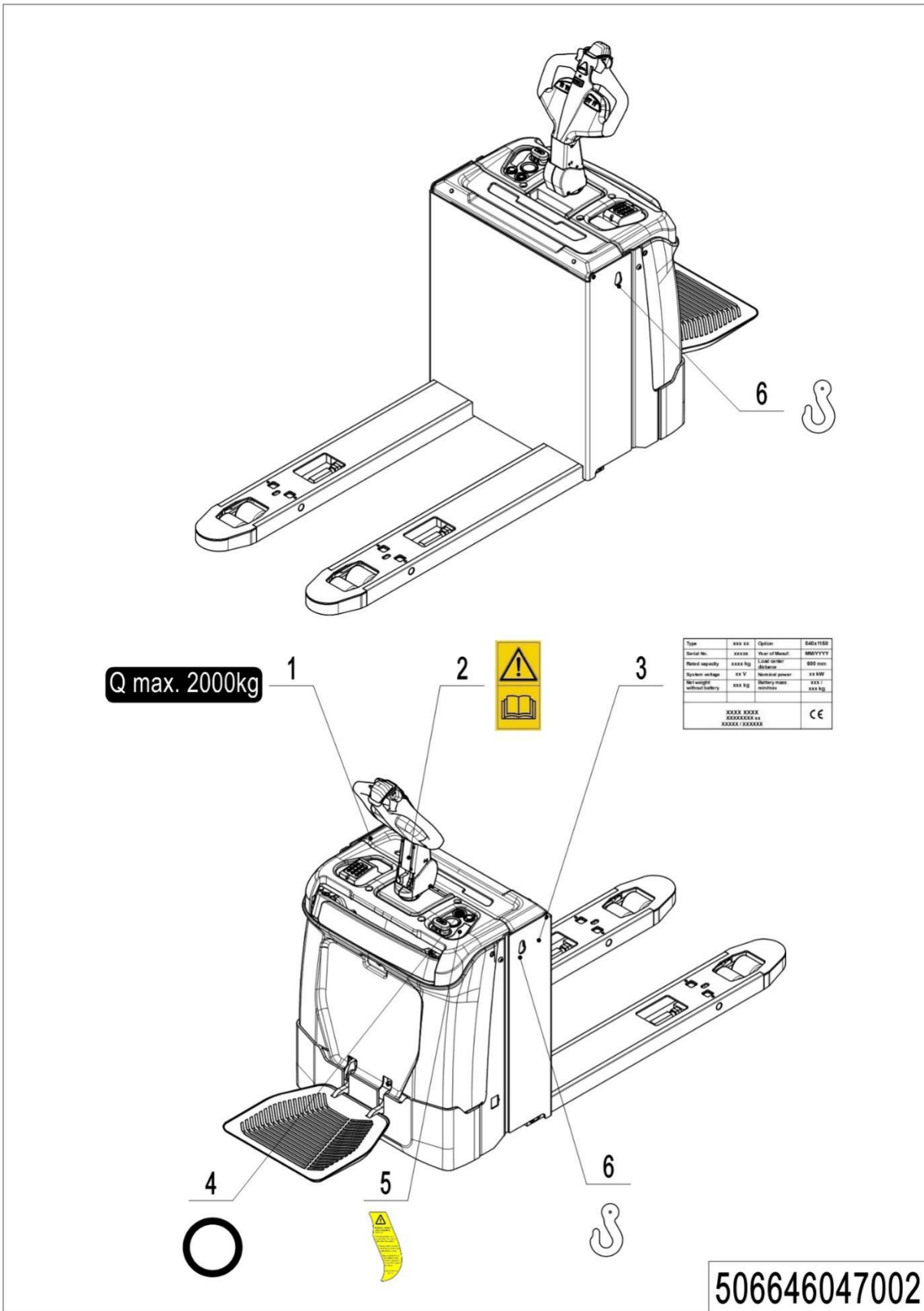


1= Supply as package. 2= Supply with constraints. 3= Phasing-out supply. 4= Supply as assembly. 5= Check other tables.

## 01 Labels, Decals-US (506646047001)

No.	Item Code	Mark	Item Description	Qty.	Substitute	Note
1	941200100013		Label	1		
2	941200200010		Label	1		
3	941200300002		Label	1		
4	506647520000		Identification Plate	1		
5	941200100009		Label	1		
6	941200100010		Label	1		
7	941200400013		Label	1		
8	941200300018		Label	1		
9	941200300001		Label	2		

**02 Labels, Decals-EU (506646047002)**



1= Supply as package. 2= Supply with constraints. 3= Phasing-out supply. 4= Supply as assembly. 5= Check other tables.

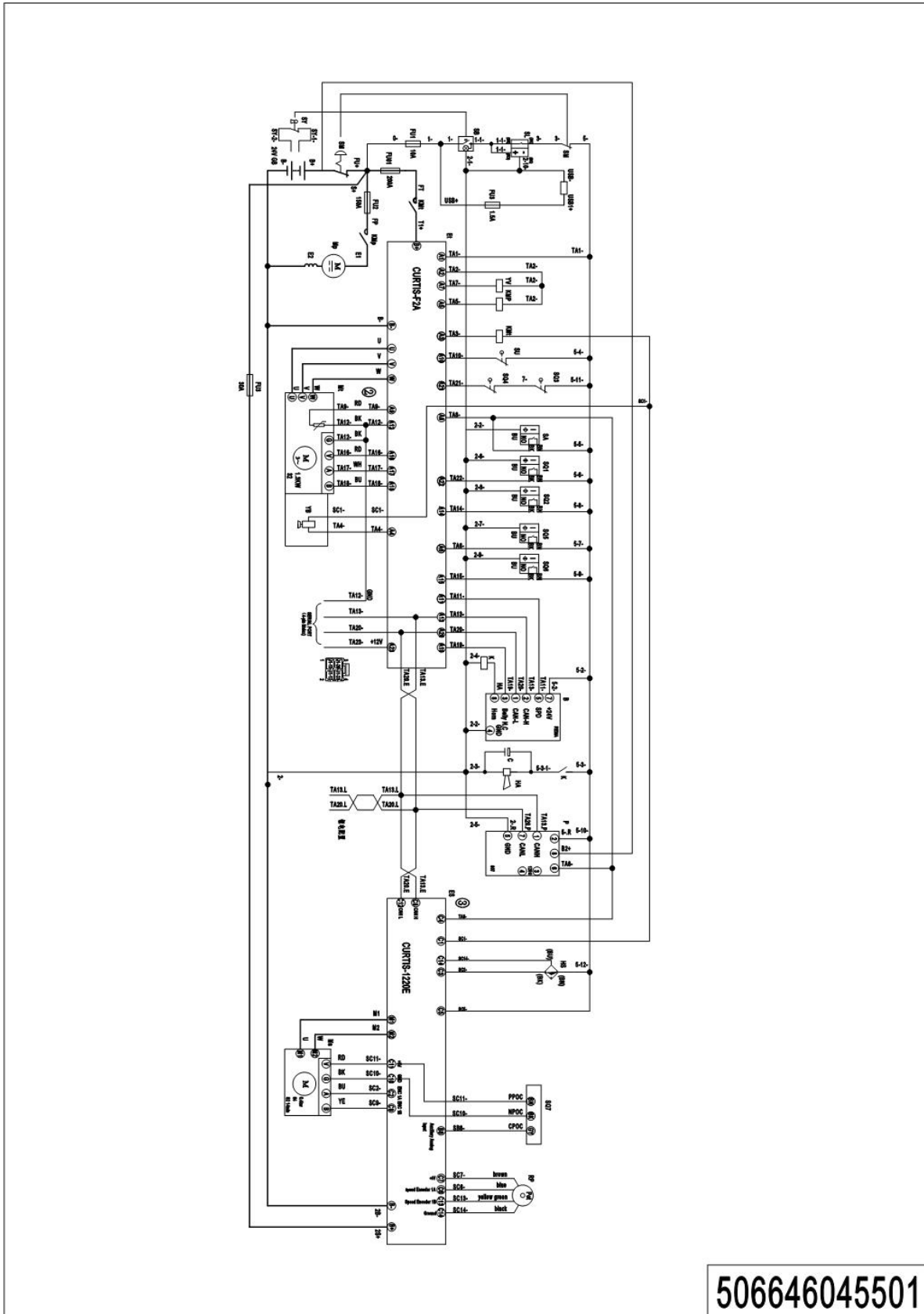
---

**02 Labels, Decals-EU (506646047002)**

<b>No.</b>	<b>Item Code</b>	<b>Mark</b>	<b>Item Description</b>	<b>Qty.</b>	<b>Substitute</b>	<b>Note</b>
1	941200200010		Label	1		
2	941200300002		Label	1		
3	506647520000		Identification Plate	1		
4	941200400013		Label	1		
5	941200300018		Label	1		
6	941200300001		Label	2		

Appendix

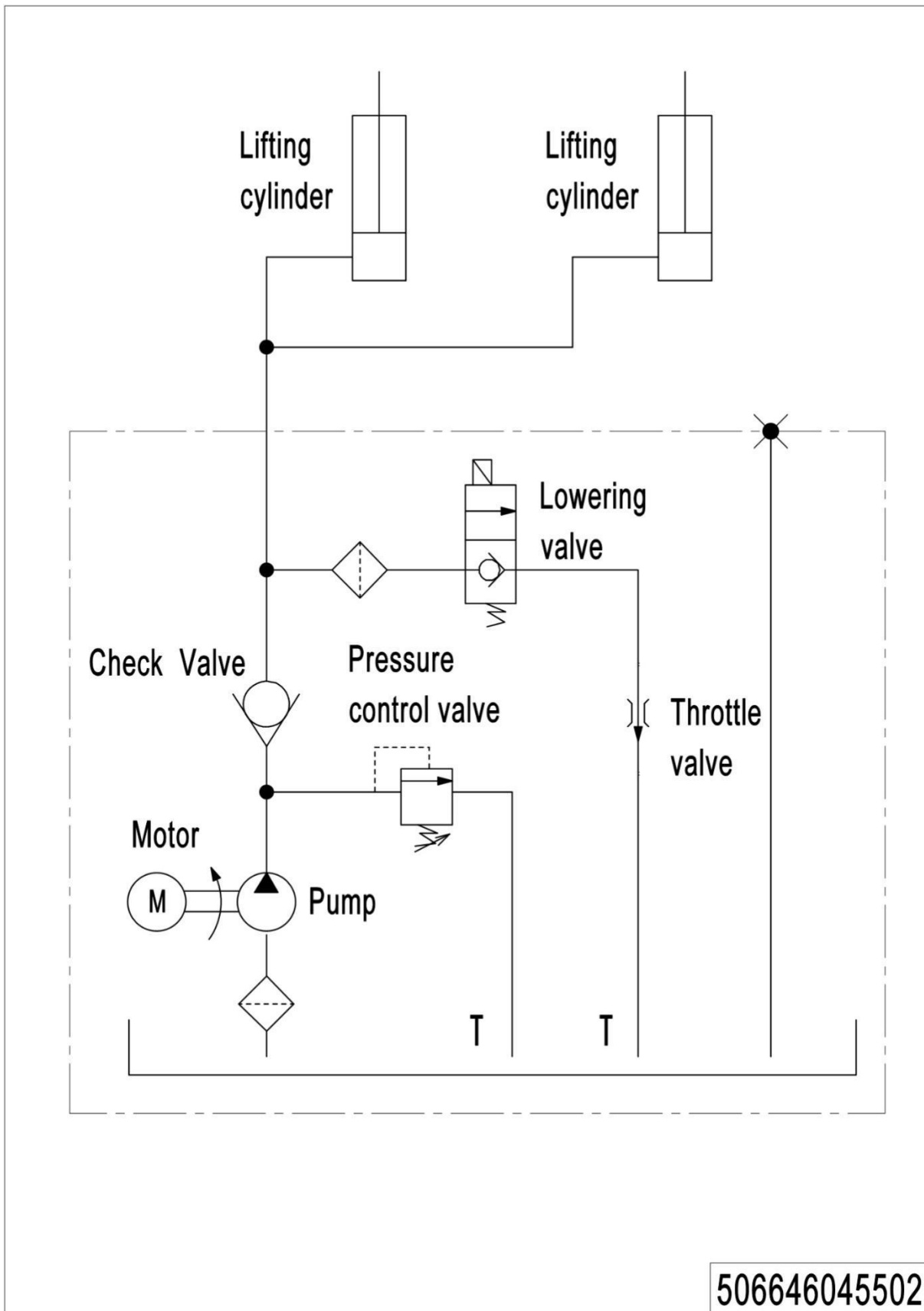
01 Electrical Circuit Diagram (506646045501)



506646045501

1= Supply as package. 2= Supply with constraints. 3= Phasing-out supply. 4= Supply as assembly. 5= Check other tables.

## 02 Hydraulic Circuit Diagram (508046045502)



### 03 Consumable Parts List

No.	Item Code	Item Description	Qty.	Chapter/ Section/ Number
1	940300400034	Drive Wheel $\Phi$ 230x75	1	Chapter 1/01/14
2	506698510000	Seal Kit	1	Chapter 2/01/13.01
3	940500100012	Bushing	4/4	Chapter 3/01/12、Chapter 3/02/12
4	940500200042	Bushing	16/16	Chapter 3/01/16、Chapter 3/02/16
5	566517001000	Carrying Wheel Assembly	2/2	Chapter 3/01/26、Chapter 3/02/26
6	940500200040	Bushing	4/4	Chapter 3/01/31、Chapter 3/02/31
7	940500200003	Bushing	2/4	Chapter 3/04/21.03、Chapter 3/05/21.02
8	920200300016	Microswitch	2/2	Chapter 3/04/39、Chapter 3/05/39
9	505698510000	Wheel Accessories	2	Chapter 3/08/18
10	940500200002	Bushing	2	Chapter 4/03/11
11	940400100045	Gas Spring	1	Chapter 4/03/17
12	920100200013	Fuse	1	Chapter 5/01/8.01
13	920100100007	Fuse	1	Chapter 5/02/2
14	920100100004	Fuse	1	Chapter 5/02/5
15	920100200002	Fuse	1	Chapter 5/02/12